

AC INDUCTION MOTORS WITH GEARBOX | 120 - 380 V 6 - 120 W

AI SERIES

We offer a broad range of high quality AC induction motors in standard and customized configurations. Our customer-centric approach makes us the ideal supplier for your project, especially to instrument and apparatus builders. In addition, we offer immediate delivery, thanks to always having a high number of motors in stock.

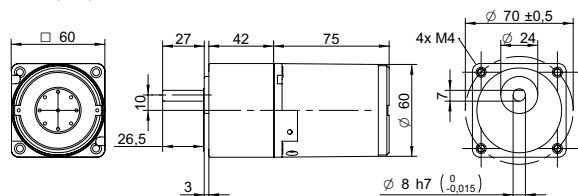
Customizations include:

- ✓ Customized harness
- ✓ Winding configuration
- ✓ Shaft configuration
- ✓ And more...

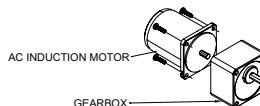
TABLE OF CONTENTS

MODEL	VOLTAGE V	NO. OF PHASES	FREQUENCY Hz	FRAME SIZE mm	POWER W	PAGE
AI-006W	120 to 380	1 3	50 60	60	6	1
AI-015W	120 to 380	1 3	50 60	70	15	5
AI-025W	120 to 380	1 3	50 60	80	25	9
AI-040W	120 to 380	1 3	50 60	90	40	13
AI-060W	120 to 380	1 3	50 60	90	60	17
AI-090W	120 to 380	1 3	50 60	90	90	21
AI-120W	120 to 380	1 3	50 60	90	120	25

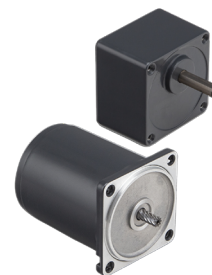
DRAWING (mm)



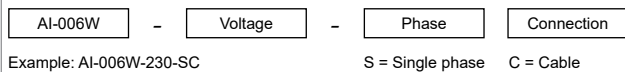
AC induction motor and gearbox also sold separately.



PHOTO



MODEL NO. DESIGNATION



ACCESSORIES¹



C = customizations are offered on demand even for smaller quantities. Typical customizations are indicated with a green dot at column end. Please contact us for any customization request.

GEAR MOTOR DATA C

Gear ratio		3	3.6	5	6	7.5	9	10	12.5	15	18	20	25	30	36	40	50	60	75	90	100	120	150	180	200
Nominal torque	Nm	0.10	0.12	0.16	0.19	0.24	0.29	0.32	0.41	0.49	0.58	0.58	0.73	0.88	1.1	1.2	1.5	1.6	2.0	2.4	2.6	3.0 ²	3.0 ²	3.0 ²	3.0 ²
Nominal speed	rpm	480	400	290	240	190	160	150	120	97	81	73	58	48	40	36	29	24	19	16	15	12	10	8	7
Nominal power	W	4.9	4.9	4.9	4.9	4.9	4.9	4.9	4.9	4.9	4.9	4.4	4.4	4.4	4.4	4.4	4.4	4.0	4.0	4.0	4.0	3.8	3.0	2.5	2.3
Gearb. nom. torq. ³	Nm	3	3	3	3	3	3	3	3	3	3	3	3	3	3	3	3	3	3	3	3	3	3	3	3
Gearbox efficiency	%	81	81	81	81	81	81	81	81	81	81	73	73	73	73	73	73	66	66	66	66	66	66	66	66
Radial load ⁴	N	80	80	80	80	80	80	80	80	80	80	180	180	180	180	180	180	180	180	180	180	180	180	180	180
Direction of rot.		CW	CW	CW	CW	CW	CW	CW	CW	CW	CW	CCW	CCW	CCW	CCW	CCW	CCW	CW	CW	CW	CW	CW	CW	CW	CW
Weight	kg	1.2	1.2	1.2	1.2	1.2	1.2	1.2	1.2	1.2	1.2	1.2	1.2	1.2	1.2	1.2	1.2	1.2	1.2	1.2	1.2	1.2	1.2	1.2	1.2

OTHER GEAR MOTOR DATA C

Service life	h	10000
Performance tolerances		± 15
Operating temperature	°C	-10 to 40
IP rating		IP20
Manufacturing standard		ISO 9001
CE label UL label		Yes No

AC INDUCTION MOTOR DATA C

Nominal voltage	V	230
No. of phases		1
Frequency	Hz	50
No. of poles		4
Nominal speed	rpm	1500
Nominal torque	mNm	40
Nominal current	A	0.14
Nominal power	W	6
Stall torque	mNm	50
Insulation class		B
Motor cable		AWG20
Motor cable length	mm	300
Capacitor included in delivery	µF	0.8
Insulation resistance	MΩ	100
Dielectric strength	kV	1.5
Max. winding temperature	°C	80
Weight	kg	0.75

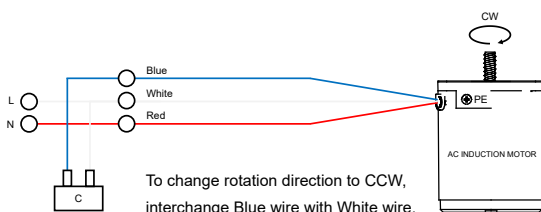
GEAR MOTOR RANGE AI-SERIES⁵

Nominal voltage	V	See separate datasheet
Nominal power	W	See separate datasheet
Dimension	mm	See separate datasheet

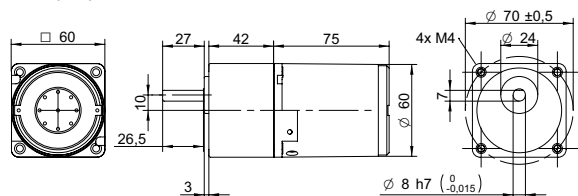
NOTES

1. See page 29 of this catalog.
2. Gear motor torque limited by gearbox.
3. Gearbox nominal torque.
4. 20 mm from shaft.
5. Visit www.transmotec.com to view datasheets.

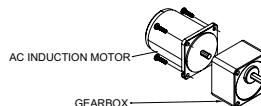
WIRING DIAGRAM AC INDUCTION MOTOR



DRAWING (mm)



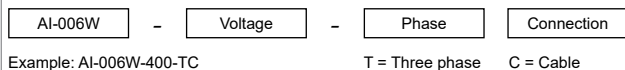
AC induction motor and gearbox also sold separately.



PHOTO



MODEL NO. DESIGNATION



ACCESSORIES¹



C = customizations are offered on demand even for smaller quantities. Typical customizations are indicated with a green dot at column end. Please contact us for any customization request.

GEAR MOTOR DATA

	3	3.6	5	6	7.5	9	10	12.5	15	18	20	25	30	36	40	50	60	75	90	100	120	150	180	200
Gear ratio	3	3.6	5	6	7.5	9	10	12.5	15	18	20	25	30	36	40	50	60	75	90	100	120	150	180	200
Nominal torque	Nm 0.12	0.14	0.19	0.23	0.29	0.35	0.39	0.49	0.58	0.70	0.70	0.88	1.1	1.3	1.4	1.8	1.9	2.4	2.9	3.0 ²	3.0 ²	3.0 ²	3.0 ²	3.0 ²
Nominal speed	rpm 400	330	240	200	160	130	120	96	80	67	60	48	40	33	30	24	20	16	13	12	10	8	7	6
Nominal power	W 4.9	4.9	4.9	4.9	4.9	4.9	4.9	4.9	4.9	4.9	4.4	4.4	4.4	4.4	4.4	4.4	4.0	4.0	4.0	3.8	3.1	2.5	2.1	1.9
Gearb. nom. torq. ³	Nm 3	3	3	3	3	3	3	3	3	3	3	3	3	3	3	3	3	3	3	3	3	3	3	3
Gearbox efficiency	% 81	81	81	81	81	81	81	81	81	81	73	73	73	73	73	73	66	66	66	66	66	66	66	66
Radial load ⁴	N 80	80	80	80	80	80	80	80	80	80	180	180	180	180	180	180	180	180	180	180	180	180	180	180
Direction of rot.	CW	CW	CW	CW	CW	CW	CW	CW	CW	CW	CCW	CCW	CCW	CCW	CCW	CCW	CW	CW	CW	CW	CW	CW	CW	CW
Weight	kg 1.2	1.2	1.2	1.2	1.2	1.2	1.2	1.2	1.2	1.2	1.2	1.2	1.2	1.2	1.2	1.2	1.2	1.2	1.2	1.2	1.2	1.2	1.2	1.2

OTHER GEAR MOTOR DATA

Service life	h	10000
Performance tolerances		± 15
Operating temperature	°C	-10 to 40
IP rating		IP20
Manufacturing standard		ISO 9001
CE label UL label		Yes No

AC INDUCTION MOTOR DATA

Nominal voltage	V	380
No. of phases		3
Frequency	Hz	50
No. of poles		4
Nominal speed	rpm	1200
Nominal torque	mNm	48
Nominal current	A	0.04
Nominal power	W	6
Stall torque	mNm	85
Insulation class		B
Motor cable		AWG20
Motor cable length	mm	300
Capacitor included in delivery	µF	-
Insulation resistance	MΩ	100
Dielectric strength	kV	1.5
Max. winding temperature	°C	80
Weight	kg	0.75

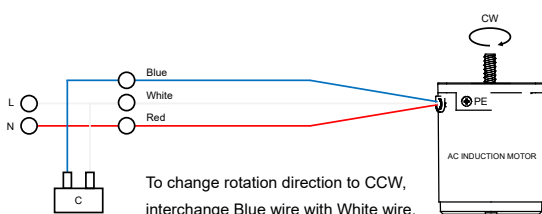
GEAR MOTOR RANGE AI-SERIES⁵

Nominal voltage	V	See separate datasheet
Nominal power	W	See separate datasheet
Dimension	mm	See separate datasheet

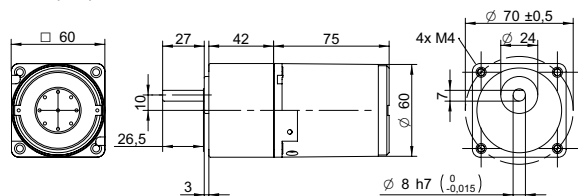
NOTES

1. See page 29 of this catalog.
2. Gear motor torque limited by gearbox.
3. Gearbox nominal torque.
4. 20 mm from shaft.
5. Visit www.transmotec.com to view datasheets.

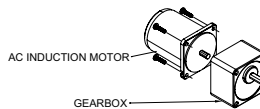
WIRING DIAGRAM AC INDUCTION MOTOR



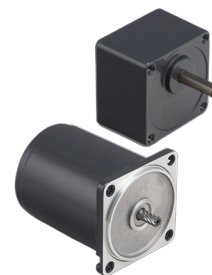
DRAWING (mm)



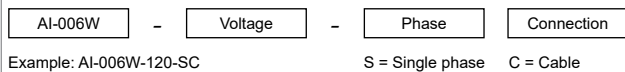
AC induction motor and gearbox also sold separately.



PHOTO



MODEL NO. DESIGNATION



ACCESSORIES¹



C = customizations are offered on demand even for smaller quantities. Typical customizations are indicated with a green dot at column end. Please contact us for any customization request.

GEAR MOTOR DATA C

Gear ratio		3	3.6	5	6	7.5	9	10	12.5	15	18	20	25	30	36	40	50	60	75	90	100	120	150	180	200	●
Nominal torque	Nm	0.10	0.12	0.16	0.19	0.24	0.29	0.32	0.41	0.49	0.58	0.58	0.73	0.88	1.1	1.2	1.5	1.6	2.0	2.4	2.6	3.0 ²	3.0 ²	3.0 ²	3.0 ²	
Nominal speed	rpm	480	400	290	240	190	160	150	120	97	81	73	58	48	40	36	29	24	19	16	15	12	10	8	7	
Nominal power	W	4.9	4.9	4.9	4.9	4.9	4.9	4.9	4.9	4.9	4.9	4.4	4.4	4.4	4.4	4.4	4.4	4.0	4.0	4.0	4.0	3.8	3.0	2.5	2.3	
Gearb. nom. torq. ³	Nm	3	3	3	3	3	3	3	3	3	3	3	3	3	3	3	3	3	3	3	3	3	3	3	3	
Gearbox efficiency	%	81	81	81	81	81	81	81	81	81	81	73	73	73	73	73	73	66	66	66	66	66	66	66	66	
Radial load ⁴	N	80	80	80	80	80	80	80	80	80	80	180	180	180	180	180	180	180	180	180	180	180	180	180	180	
Direction of rot.		CW	CW	CW	CW	CW	CW	CW	CW	CW	CW	CCW	CCW	CCW	CCW	CCW	CCW	CW	CW	CW	CW	CW	CW	CW	CW	
Weight	kg	1.2	1.2	1.2	1.2	1.2	1.2	1.2	1.2	1.2	1.2	1.2	1.2	1.2	1.2	1.2	1.2	1.2	1.2	1.2	1.2	1.2	1.2	1.2	1.2	

OTHER GEAR MOTOR DATA C

Service life	h	10000
Performance tolerances		± 15
Operating temperature	°C	-10 to 40
IP rating		IP20
Manufacturing standard		ISO 9001
CE label UL label		No No

AC INDUCTION MOTOR DATA C

Nominal voltage	V	120
No. of phases		1
Frequency	Hz	60
No. of poles		4
Nominal speed	rpm	1500
Nominal torque	mNm	40
Nominal current	A	0.18
Nominal power	W	6
Stall torque	mNm	40
Insulation class		B
Motor cable		AWG20
Motor cable length	mm	300
Capacitor included in delivery	µF	2
Insulation resistance	MΩ	100
Dielectric strength	kV	1.5
Max. winding temperature	°C	80
Weight	kg	0.75

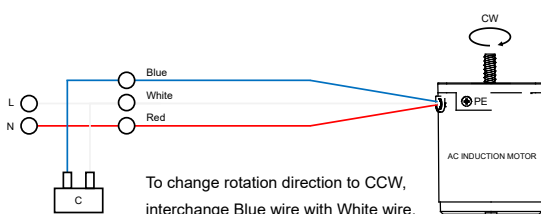
GEAR MOTOR RANGE AI-SERIES⁵

Nominal voltage	V	See separate datasheet
Nominal power	W	See separate datasheet
Dimension	mm	See separate datasheet

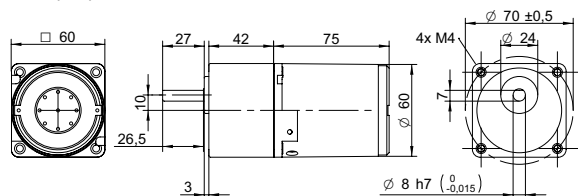
NOTES

1. See page 29 of this catalog.
2. Gear motor torque limited by gearbox.
3. Gearbox nominal torque.
4. 20 mm from shaft.
5. Visit www.transmotec.com to view datasheets.

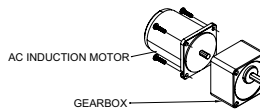
WIRING DIAGRAM AC INDUCTION MOTOR



DRAWING (mm)



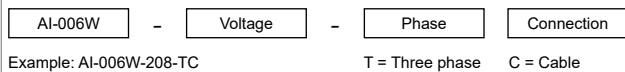
AC induction motor and gearbox also sold separately.



PHOTO



MODEL NO. DESIGNATION



ACCESSORIES¹



C = customizations are offered on demand even for smaller quantities. Typical customizations are indicated with a green dot at column end. Please contact us for any customization request.

GEAR MOTOR DATA C

Gear ratio		3	3.6	5	6	7.5	9	10	12.5	15	18	20	25	30	36	40	50	60	75	90	100	120	150	180	200	●
Nominal torque	Nm	0.10	0.12	0.16	0.19	0.24	0.29	0.32	0.41	0.49	0.58	0.58	0.73	0.88	1.1	1.2	1.5	1.6	2.0	2.4	2.6	3.0²	3.0²	3.0²	3.0²	
Nominal speed	rpm	480	400	290	240	190	160	150	120	97	81	73	58	48	40	36	29	24	19	16	15	12	10	8	7	
Nominal power	W	4.9	4.9	4.9	4.9	4.9	4.9	4.9	4.9	4.9	4.9	4.4	4.4	4.4	4.4	4.4	4.4	4.0	4.0	4.0	4.0	3.8	3.0	2.5	2.3	
Gearb. nom. torq. ³	Nm	3	3	3	3	3	3	3	3	3	3	3	3	3	3	3	3	3	3	3	3	3	3	3	3	
Gearbox efficiency	%	81	81	81	81	81	81	81	81	81	81	73	73	73	73	73	73	66	66	66	66	66	66	66	66	
Radial load ⁴	N	80	80	80	80	80	80	80	80	80	80	180	180	180	180	180	180	180	180	180	180	180	180	180	180	
Direction of rot.		CW	CW	CW	CW	CW	CW	CW	CW	CW	CW	CCW	CCW	CCW	CCW	CCW	CCW	CW	CW	CW	CW	CW	CW	CW	CW	
Weight	kg	1.2	1.2	1.2	1.2	1.2	1.2	1.2	1.2	1.2	1.2	1.2	1.2	1.2	1.2	1.2	1.2	1.2	1.2	1.2	1.2	1.2	1.2	1.2	1.2	

OTHER GEAR MOTOR DATA C

Service life	h	10000
Performance tolerances		± 15
Operating temperature	°C	-10 to 40
IP rating		IP20
Manufacturing standard		ISO 9001
CE label UL label		No No

AC INDUCTION MOTOR DATA C

Nominal voltage	V	220
No. of phases		3
Frequency	Hz	60
No. of poles		4
Nominal speed	rpm	1500
Nominal torque	mNm	40
Nominal current	A	0.07
Nominal power	W	6
Stall torque	mNm	70
Insulation class		B
Motor cable		AWG20
Motor cable length	mm	300
Capacitor included in delivery	µF	-
Insulation resistance	MΩ	100
Dielectric strength	kV	1.5
Max. winding temperature	°C	80
Weight	kg	0.75

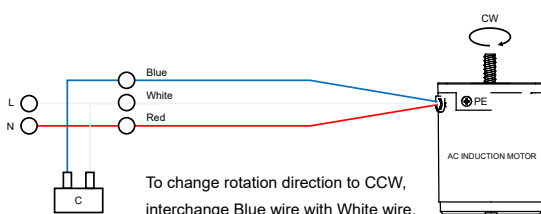
GEAR MOTOR RANGE AI-SERIES[®]

Nominal voltage	V	See separate datasheet
Nominal power	W	See separate datasheet
Dimension	mm	See separate datasheet

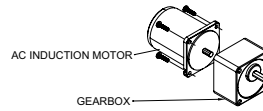
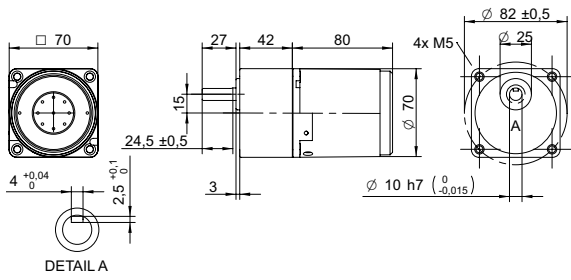
NOTES

1. See page 29 of this catalog.
2. Gear motor torque limited by gearbox.
3. Gearbox nominal torque.
4. 20 mm from shaft.
5. Visit www.transmotec.com to view datasheets.

WIRING DIAGRAM AC INDUCTION MOTOR



DRAWING (mm)

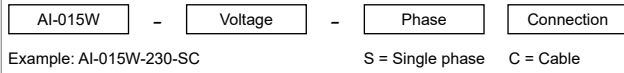


PHOTO

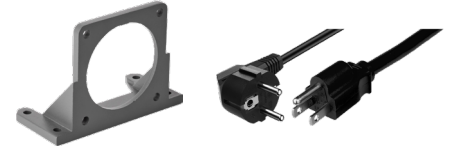


AC induction motor and gearbox also sold separately.

MODEL NO. DESIGNATION



ACCESSORIES¹



C = customizations are offered on demand even for smaller quantities. Typical customizations are indicated with a green dot at column end. Please contact us for any customization request.

GEAR MOTOR DATA

	3	3.6	5	6	7.5	9	10	12.5	15	18	20	25	30	36	40	50	60	75	90	100	120	150	180	200	250	300	500	600	750	
Gear ratio	3	3.6	5	6	7.5	9	10	12.5	15	18	20	25	30	36	40	50	60	75	90	100	120	150	180	200	250	300	500	600	750	
Nominal torque	Nm	0.30	0.36	0.51	0.61	0.76	0.91	1.0	1.3	1.5	1.8	2.3	2.7	3.3	3.7	4.6	5.0 ²	5.0 ²	5.0 ²	5.0 ²	5.0 ²	5.0 ²	5.0 ²	5.0 ²	5.0 ²	5.0 ²	5.0 ²	5.0 ²	5.0 ²	
Nominal speed	rpm	400	330	240	200	160	130	120	96	80	67	60	48	40	33	30	24	20	16	13	12	10	8	7	6	5	4	2	2	2
Nominal power	W	13	13	13	13	13	13	13	13	13	11	11	11	11	11	11	10	8	7	6	5	4	3	3	2.5	2.1	1.3	1.0	0.84	
Gearb. nom. torq. ³	Nm	5	5	5	5	5	5	5	5	5	5	5	5	5	5	5	5	5	5	5	5	5	5	5	5	5	5	5	5	
Gearbox efficiency	%	81	81	81	81	81	81	81	81	81	73	73	73	73	73	73	66	66	66	66	66	66	66	66	59	59	59	59	59	
Radial load ⁴	N	120	120	120	120	120	120	120	120	120	250	250	250	250	250	250	250	250	250	250	250	250	250	250	250	250	250	250	250	
Direction of rot.		CW	CW	CW	CW	CW	CW	CW	CW	CCW	CCW	CCW	CCW	CCW	CCW	CCW	CW	CW	CW	CW	CW	CW	CW	CW	CW	CCW	CCW	CCW	CCW	
Weight	kg	1.6	1.6	1.6	1.6	1.6	1.6	1.6	1.6	1.6	1.6	1.6	1.6	1.6	1.6	1.6	1.6	1.6	1.6	1.6	1.6	1.6	1.6	1.6	1.6	1.6	1.6	1.6	1.6	

OTHER GEAR MOTOR DATA

Service life	h	10000
Performance tolerances		± 15
Operating temperature	°C	-10 to 40
IP rating		IP20
Manufacturing standard		ISO 9001
CE label UL label		Yes No

AC INDUCTION MOTOR DATA

Nominal voltage	V	230
No. of phases		1
Frequency	Hz	50
No. of poles		4
Nominal speed	rpm	1200
Nominal torque	mNm	130
Nominal current	A	0.2
Nominal power	W	15
Stall torque	mNm	90
Insulation class		B
Motor cable		AWG20
Motor cable length	mm	300
Capacitor included in delivery	µF	1.2
Insulation resistance	MΩ	100
Dielectric strength	kV	1.5
Max. winding temperature	°C	80
Weight	kg	1

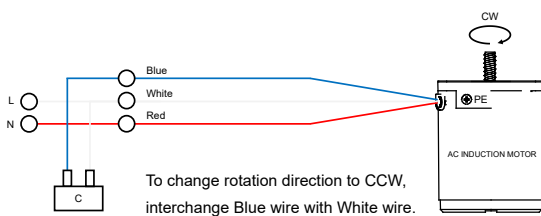
GEAR MOTOR RANGE AI-SERIES⁵

Nominal voltage	V	See separate datasheet
Nominal power	W	See separate datasheet
Dimension	mm	See separate datasheet

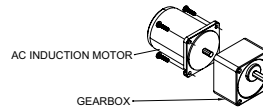
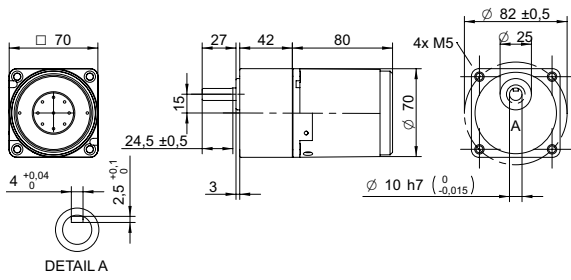
NOTES

1. See page 29 of this catalog.
2. Gear motor torque limited by gearbox.
3. Gearbox nominal torque.
4. 20 mm from shaft.
5. Visit www.transmotec.com to view datasheets.

WIRING DIAGRAM AC INDUCTION MOTOR



DRAWING (mm)

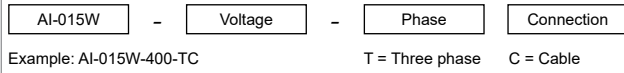


PHOTO



AC induction motor and gearbox also sold separately.

MODEL NO. DESIGNATION



ACCESSORIES¹



C = customizations are offered on demand even for smaller quantities. Typical customizations are indicated with a green dot at column end. Please contact us for any customization request.

GEAR MOTOR DATA C

Gear ratio		3	3.6	5	6	7.5	9	10	12.5	15	18	20	25	30	36	40	50	60	75	90	100	120	150	180	200	250	300	500	600	750	●
Nominal torque	Nm	0.30	0.36	0.51	0.61	0.76	0.91	1.0	1.3	1.5	1.8	1.8	2.3	2.7	3.3	3.7	4.6	5.0 ²	5.0 ²	5.0 ²	5.0 ²	5.0 ²	5.0 ²	5.0 ²	5.0 ²	5.0 ²	5.0 ²	5.0 ²	5.0 ²	5.0 ²	
Nominal speed	rpm	400	330	240	200	160	130	120	96	80	67	60	48	40	33	30	24	20	16	13	12	10	8	7	6	5	4	2	2	2	
Nominal power	W	13	13	13	13	13	13	13	13	13	13	11	11	11	11	11	11	10	8	7	6	5	4	3	3	2.5	2.1	1.3	1.0	0.84	
Gearb. nom. torq. ³	Nm	5	5	5	5	5	5	5	5	5	5	5	5	5	5	5	5	5	5	5	5	5	5	5	5	5	5	5	5	5	
Gearbox efficiency	%	81	81	81	81	81	81	81	81	81	81	73	73	73	73	73	73	66	66	66	66	66	66	66	66	59	59	59	59	59	
Radial load ⁴	N	120	120	120	120	120	120	120	120	120	250	250	250	250	250	250	250	250	250	250	250	250	250	250	250	250	250	250	250	250	
Direction of rot.		CW	CW	CW	CW	CW	CW	CW	CW	CW	CCW	CCW	CCW	CCW	CCW	CCW	CCW	CW	CW	CW	CW	CW	CW	CW	CW	CCW	CCW	CCW	CCW	CCW	
Weight	kg	1.6	1.6	1.6	1.6	1.6	1.6	1.6	1.6	1.6	1.6	1.6	1.6	1.6	1.6	1.6	1.6	1.6	1.6	1.6	1.6	1.6	1.6	1.6	1.6	1.6	1.6	1.6	1.6	1.6	

OTHER GEAR MOTOR DATA C

Service life	h	10000
Performance tolerances		± 15
Operating temperature	°C	-10 to 40
IP rating		IP20
Manufacturing standard		ISO 9001
CE label UL label		Yes No

AC INDUCTION MOTOR DATA C

Nominal voltage	V	380
No. of phases		3
Frequency	Hz	50
No. of poles		4
Nominal speed	rpm	1200
Nominal torque	mNm	130
Nominal current	A	0.08
Nominal power	W	15
Stall torque	mNm	220
Insulation class		B
Motor cable		AWG20
Motor cable length	mm	300
Capacitor included in delivery	µF	-
Insulation resistance	MΩ	100
Dielectric strength	kV	1.5
Max. winding temperature	°C	80
Weight	kg	1

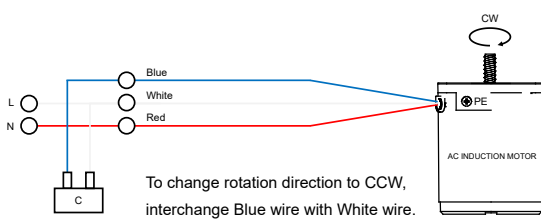
GEAR MOTOR RANGE AI-SERIES⁵

Nominal voltage	V	See separate datasheet
Nominal power	W	See separate datasheet
Dimension	mm	See separate datasheet

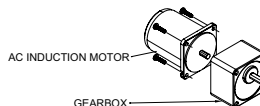
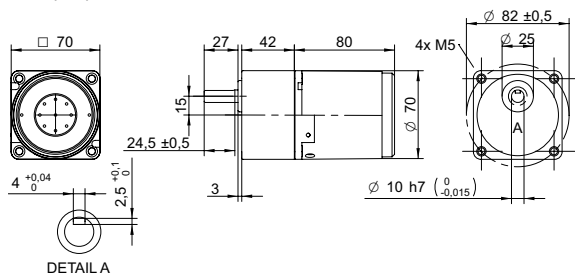
NOTES

1. See page 29 of this catalog.
2. Gear motor torque limited by gearbox.
3. Gearbox nominal torque.
4. 20 mm from shaft.
5. Visit www.transmotec.com to view datasheets.

WIRING DIAGRAM AC INDUCTION MOTOR



DRAWING (mm)

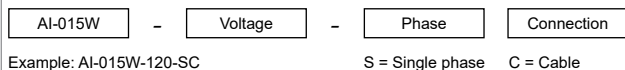


PHOTO



AC induction motor and gearbox also sold separately.

MODEL NO. DESIGNATION



ACCESSORIES¹



C = customizations are offered on demand even for smaller quantities. Typical customizations are indicated with a green dot at column end. Please contact us for any customization request.

GEAR MOTOR DATA C

Gear ratio		3	3.6	5	6	7.5	9	10	12.5	15	18	20	25	30	36	40	50	60	75	90	100	120	150	180	200	250	300	500	600	750	●
Nominal torque	Nm	0.26	0.31	0.43	0.51	0.64	0.77	0.85	1.1	1.3	1.5	1.5	1.9	2.3	2.8	3.1	3.8	4.2	5.0 ²	5.0 ²	5.0 ²	5.0 ²	5.0 ²	5.0 ²	5.0 ²	5.0 ²	5.0 ²	5.0 ²	5.0 ²	5.0 ²	
Nominal speed	rpm	480	400	290	240	190	160	150	120	97	81	73	58	48	40	36	29	24	19	16	15	12	10	8	7	6	5	3	2	2	
Nominal power	W	13	13	13	13	13	13	13	13	13	13	12	12	12	12	12	12	11	10	8	8	6	5	4	4	3.0	2.5	1.5	1.3	1.0	
Gearb. nom. torq. ³	Nm	5	5	5	5	5	5	5	5	5	5	5	5	5	5	5	5	5	5	5	5	5	5	5	5	5	5	5	5	5	
Gearbox efficiency	%	81	81	81	81	81	81	81	81	81	81	73	73	73	73	73	73	66	66	66	66	66	66	66	66	59	59	59	59	59	
Radial load ⁴	N	120	120	120	120	120	120	120	120	120	250	250	250	250	250	250	250	250	250	250	250	250	250	250	250	250	250	250	250	250	
Direction of rot.		CW	CW	CW	CW	CW	CW	CW	CW	CW	CCW	CCW	CCW	CCW	CCW	CCW	CCW	CW	CW	CW	CW	CW	CW	CW	CW	CW	CCW	CCW	CCW	CCW	
Weight	kg	1.6	1.6	1.6	1.6	1.6	1.6	1.6	1.6	1.6	1.6	1.6	1.6	1.6	1.6	1.6	1.6	1.6	1.6	1.6	1.6	1.6	1.6	1.6	1.6	1.6	1.6	1.6	1.6	1.6	

OTHER GEAR MOTOR DATA C

Service life	h	10000
Performance tolerances		± 15
Operating temperature	°C	-10 to 40
IP rating		IP20
Manufacturing standard		ISO 9001
CE label UL label		No No

AC INDUCTION MOTOR DATA C

Nominal voltage	V	120
No. of phases		1
Frequency	Hz	60
No. of poles		4
Nominal speed	rpm	1500
Nominal torque	mNm	110
Nominal current	A	0.32
Nominal power	W	15
Stall torque	mNm	65
Insulation class		B
Motor cable		AWG20
Motor cable length	mm	300
Capacitor included in delivery	µF	5
Insulation resistance	MΩ	100
Dielectric strength	kV	1.5
Max. winding temperature	°C	80
Weight	kg	1

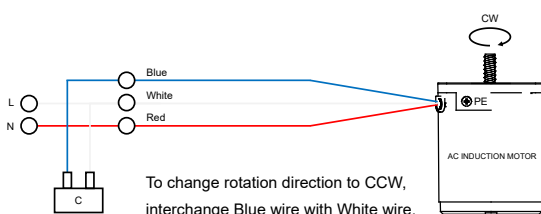
GEAR MOTOR RANGE AI-SERIES⁵

Nominal voltage	V	See separate datasheet
Nominal power	W	See separate datasheet
Dimension	mm	See separate datasheet

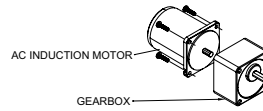
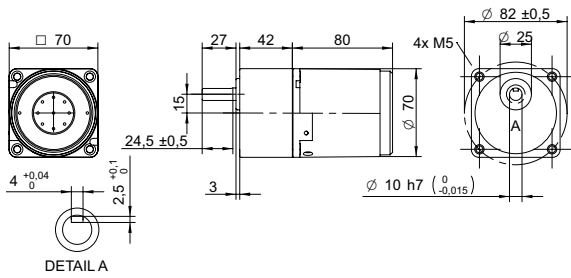
NOTES

1. See page 29 of this catalog.
2. Gear motor torque limited by gearbox.
3. Gearbox nominal torque.
4. 20 mm from shaft.
5. Visit www.transmotec.com to view datasheets.

WIRING DIAGRAM AC INDUCTION MOTOR



DRAWING (mm)

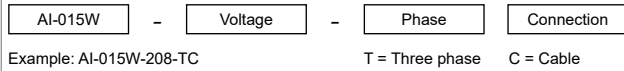


PHOTO

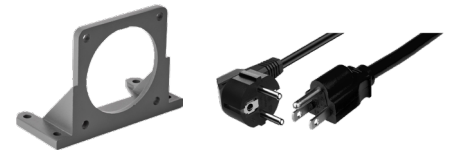


AC induction motor and gearbox also sold separately.

MODEL NO. DESIGNATION



ACCESSORIES¹



C = customizations are offered on demand even for smaller quantities. Typical customizations are indicated with a green dot at column end. Please contact us for any customization request.

GEAR MOTOR DATA

	3	3.6	5	6	7.5	9	10	12.5	15	18	20	25	30	36	40	50	60	75	90	100	120	150	180	200	250	300	500	600	750
Gear ratio	3	3.6	5	6	7.5	9	10	12.5	15	18	20	25	30	36	40	50	60	75	90	100	120	150	180	200	250	300	500	600	750
Nominal torque	Nm	0.26	0.31	0.43	0.51	0.64	0.77	0.85	1.1	1.3	1.5	1.9	2.3	2.8	3.1	3.8	4.2	5.0 ²	5.0 ²	5.0 ²	5.0 ²	5.0 ²	5.0 ²	5.0 ²	5.0 ²	5.0 ²	5.0 ²	5.0 ²	5.0 ²
Nominal speed	rpm	480	400	290	240	190	160	150	120	97	81	73	58	48	40	36	29	24	19	16	15	12	10	8	7	6	5	3	2
Nominal power	W	13	13	13	13	13	13	13	13	13	12	12	12	12	12	12	11	10	8	8	6	5	4	4	3.0	2.5	1.5	1.3	1.0
Gearb. nom. torq. ³	Nm	5	5	5	5	5	5	5	5	5	5	5	5	5	5	5	5	5	5	5	5	5	5	5	5	5	5	5	5
Gearbox efficiency	%	81	81	81	81	81	81	81	81	81	73	73	73	73	73	73	66	66	66	66	66	66	66	66	59	59	59	59	59
Radial load ⁴	N	120	120	120	120	120	120	120	120	120	250	250	250	250	250	250	250	250	250	250	250	250	250	250	250	250	250	250	250
Direction of rot.		CW	CW	CW	CW	CW	CW	CW	CW	CCW	CCW	CCW	CCW	CCW	CCW	CCW	CW	CW	CW	CW	CW	CW	CW	CW	CW	CCW	CCW	CCW	CCW
Weight	kg	1.6	1.6	1.6	1.6	1.6	1.6	1.6	1.6	1.6	1.6	1.6	1.6	1.6	1.6	1.6	1.6	1.6	1.6	1.6	1.6	1.6	1.6	1.6	1.6	1.6	1.6	1.6	1.6

OTHER GEAR MOTOR DATA

Service life	h	10000
Performance tolerances		± 15
Operating temperature	°C	-10 to 40
IP rating		IP20
Manufacturing standard		ISO 9001
CE label UL label		No No

AC INDUCTION MOTOR DATA

Nominal voltage	V	220
No. of phases		3
Frequency	Hz	60
No. of poles		4
Nominal speed	rpm	1500
Nominal torque	mNm	110
Nominal current	A	0.12
Nominal power	W	15
Stall torque	mNm	180
Insulation class		B
Motor cable		AWG20
Motor cable length	mm	300
Capacitor included in delivery	µF	-
Insulation resistance	MΩ	100
Dielectric strength	kV	1.5
Max. winding temperature	°C	80
Weight	kg	1

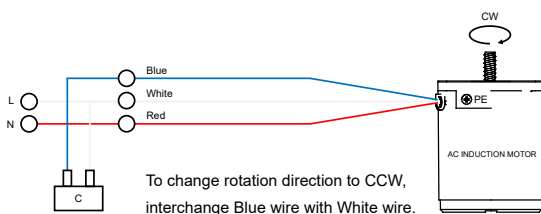
GEAR MOTOR RANGE AI-SERIES⁵

Nominal voltage	V	See separate datasheet
Nominal power	W	See separate datasheet
Dimension	mm	See separate datasheet

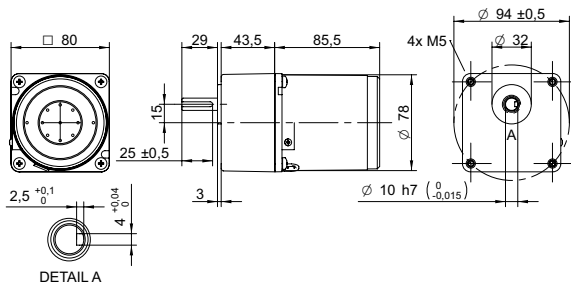
NOTES

1. See page 29 of this catalog.
2. Gear motor torque limited by gearbox.
3. Gearbox nominal torque.
4. 20 mm from shaft.
5. Visit www.transmotec.com to view datasheets.

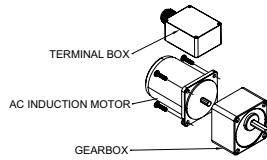
WIRING DIAGRAM AC INDUCTION MOTOR



DRAWING (mm)



AC induction motor and gearbox also sold separately.



PHOTO

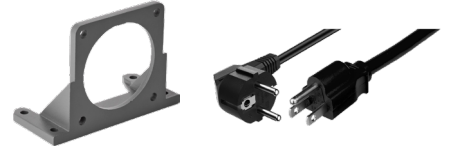


MODEL NO. DESIGNATION

AI-025W - Voltage - Phase - Connection

Example: AI-025W-230-SC S = Single phase C = Cable B = Terminal box

ACCESSORIES¹



● C = customizations are offered on demand even for smaller quantities. Typical customizations are indicated with a green dot at column end. Please contact us for any customization request.

GEAR MOTOR DATA

Gear ratio	3	3.6	5	6	7.5	9	10	12.5	15	18	20	25	30	36	40	50	60	75	90	100	120	150	180	200	250	300	500	600	750	
Nominal torque Nm	0.49	0.58	0.81	0.97	1.2	1.5	1.6	2.0	2.4	2.9	2.9	3.7	4.4	5.3	5.8	7.3	7.9	8.0 ²	8.0 ²	8.0 ²	8.0 ²	8.0 ²	8.0 ²	8.0 ²	8.0 ²	8.0 ²	8.0 ²	8.0 ²	8.0 ²	●
Nominal speed rpm	420	350	250	210	170	140	130	100	83	69	63	50	42	35	31	25	21	17	14	13	10	8	7	6	5	4	3	2	2	
Nominal power W	21	21	21	21	21	21	21	21	21	21	19	19	19	19	19	19	17	14	12	10	8.7	7.0	5.8	5.2	4.2	3.5	2.1	1.7	1.4	
Gearb. nom. torq. ³ Nm	8	8	8	8	8	8	8	8	8	8	8	8	8	8	8	8	8	8	8	8	8	8	8	8	8	8	8	8	8	
Gearbox efficiency %	81	81	81	81	81	81	81	81	81	81	73	73	73	73	73	73	66	66	66	66	66	66	66	66	59	59	59	59	59	
Radial load ⁴ N	150	150	150	150	150	150	150	150	150	150	300	300	300	300	300	300	300	300	300	300	300	300	300	300	300	300	300	300	300	
Direction of rot.	CW	CW	CW	CW	CW	CW	CW	CW	CW	CW	CW	CCW	CCW	CCW	CCW	CCW	CW	CW	CW	CW	CW	CW	CW	CW	CCW	CCW	CCW	CCW	CCW	
Weight kg	2.4	2.4	2.4	2.4	2.4	2.4	2.4	2.4	2.4	2.4	2.4	2.4	2.4	2.4	2.4	2.4	2.4	2.4	2.4	2.4	2.4	2.4	2.4	2.4	2.4	2.4	2.4	2.4	2.4	

OTHER GEAR MOTOR DATA

Service life h	10000
Performance tolerances	± 15
Operating temperature °C	-10 to 40
IP rating ⁵	IP20 IP54
Manufacturing standard	ISO 9001
CE label UL label	Yes No

AC INDUCTION MOTOR DATA

Nominal voltage V	230
No. of phases	1
Frequency Hz	50
No. of poles	4
Nominal speed rpm	1300
Nominal torque mNm	200
Nominal current A	0.23
Nominal power W	25
Stall torque mNm	120
Insulation class	B
Motor cable AWG20	
Motor cable length mm	300
Capacitor included in delivery μF	1.8
Insulation resistance MΩ	100
Dielectric strength kV	1.5
Max. winding temperature °C	80
Weight kg	1.6

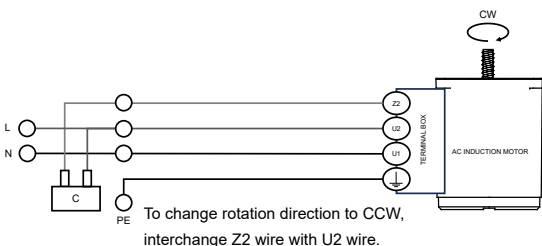
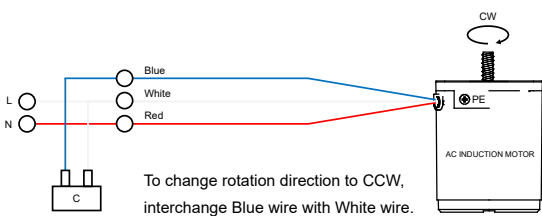
GEAR MOTOR RANGE AI-SERIES⁷

Nominal voltage V	See separate datasheet
Nominal power W	See separate datasheet
Dimension mm	See separate datasheet

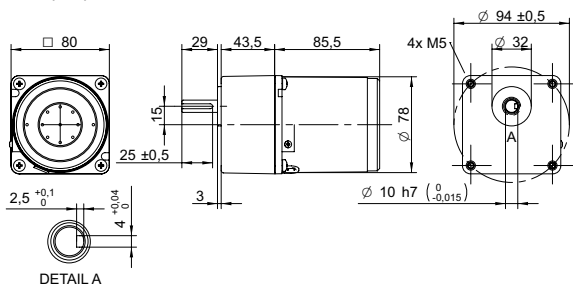
NOTES

- See page 29 of this catalog.
- Gear motor torque limited by gearbox.
- Gearbox nominal torque.
- 20 mm from shaft.
- IP20 without terminal box, IP54 with terminal box.
- Cables/wires for connecting terminal box not included with AC induction motor.
- Visit www.transmotec.com to view datasheets.

WIRING DIAGRAM AC INDUCTION MOTOR⁸

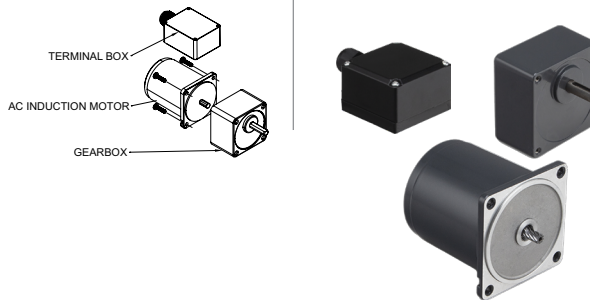


DRAWING (mm)

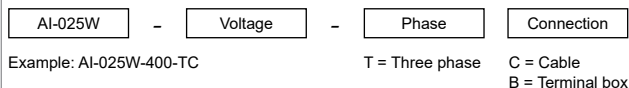


AC induction motor and gearbox also sold separately.

PHOTO



MODEL NO. DESIGNATION



ACCESSORIES¹



● C = customizations are offered on demand even for smaller quantities. Typical customizations are indicated with a green dot at column end. Please contact us for any customization request.

GEAR MOTOR DATA C

Gear ratio		3	3.6	5	6	7.5	9	10	12.5	15	18	20	25	30	36	40	50	60	75	90	100	120	150	180	200	250	300	500	600	750	
Nominal torque	Nm	0.49	0.58	0.81	0.97	1.2	1.5	1.6	2.0	2.4	2.9	2.9	3.7	4.4	5.3	5.8	7.3	7.9	8.0²	8.0²	8.0²	8.0²	8.0²	8.0²	8.0²	8.0²	8.0²	8.0²	8.0²	8.0²	●
Nominal speed	rpm	420	350	250	210	170	140	130	100	83	69	63	50	42	35	31	25	21	17	14	13	10	8	7	6	5	4	3	2	2	
Nominal power	W	21	21	21	21	21	21	21	21	21	19	19	19	19	19	19	19	17	14	12	10	8.7	7.0	5.8	5.2	4.2	3.5	2.1	1.7	1.4	
Gearb. nom. torq. ³	Nm	8	8	8	8	8	8	8	8	8	8	8	8	8	8	8	8	8	8	8	8	8	8	8	8	8	8	8	8	8	
Gearbox efficiency	%	81	81	81	81	81	81	81	81	81	73	73	73	73	73	73	66	66	66	66	66	66	66	66	66	59	59	59	59	59	
Radial load ⁴	N	150	150	150	150	150	150	150	150	150	300	300	300	300	300	300	300	300	300	300	300	300	300	300	300	300	300	300	300	300	
Direction of rot.		CW	CW	CW	CW	CW	CW	CW	CW	CW	CW	CW	CCW	CCW	CCW	CCW	CCW	CW	CW	CW	CW	CW	CW	CW	CW	CW	CCW	CCW	CCW	CCW	
Weight	kg	2.4	2.4	2.4	2.4	2.4	2.4	2.4	2.4	2.4	2.4	2.4	2.4	2.4	2.4	2.4	2.4	2.4	2.4	2.4	2.4	2.4	2.4	2.4	2.4	2.4	2.4	2.4	2.4	2.4	

OTHER GEAR MOTOR DATA C

Service life	h	10000
Performance tolerances		± 15
Operating temperature	°C	-10 to 40
IP rating ⁵		IP20 IP54
Manufacturing standard		ISO 9001
CE label UL label		Yes No

AC INDUCTION MOTOR DATA C

Nominal voltage	V	380
No. of phases		3
Frequency	Hz	50
No. of poles		4
Nominal speed	rpm	1300
Nominal torque	mNm	200
Nominal current	A	0.11
Nominal power	W	25
Stall torque	mNm	350
Insulation class		B
Motor cable		AWG20
Motor cable length	mm	300
Capacitor included in delivery	µF	-
Insulation resistance	MΩ	100
Dielectric strength	kV	1.5
Max. winding temperature	°C	80
Weight	kg	1.6

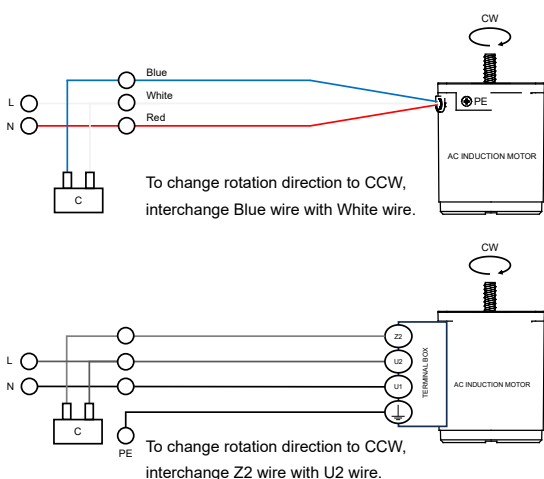
GEAR MOTOR RANGE AI-SERIES¹

Nominal voltage	V	See separate datasheet
Nominal power	W	See separate datasheet
Dimension	mm	See separate datasheet

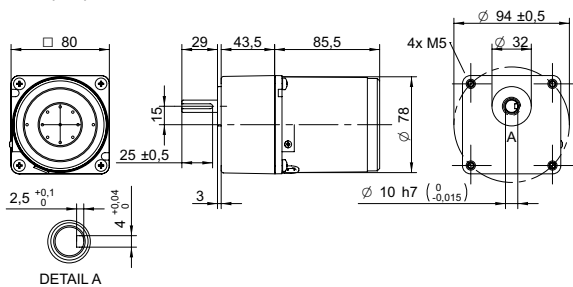
NOTES

- See page 29 of this catalog.
- Gear motor torque limited by gearbox.
- Gearbox nominal torque.
- 20 mm from shaft.
- IP20 without terminal box, IP54 with terminal box.
- Cables/wires for connecting terminal box not included with AC induction motor.
- Visit www.transmotec.com to view datasheets.

WIRING DIAGRAM AC INDUCTION MOTOR⁶

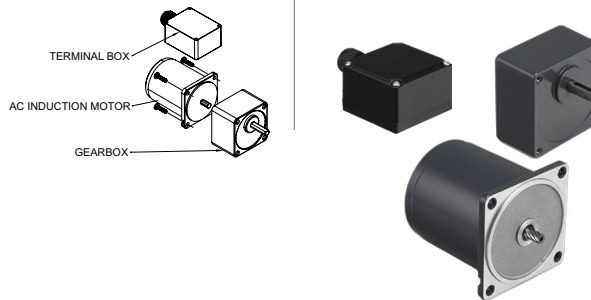


DRAWING (mm)

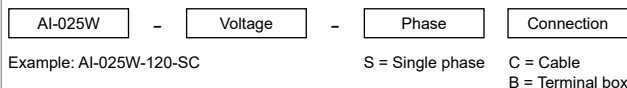


AC induction motor and gearbox also sold separately.

PHOTO



MODEL NO. DESIGNATION



ACCESSORIES¹



● C = customizations are offered on demand even for smaller quantities. Typical customizations are indicated with a green dot at column end. Please contact us for any customization request.

GEAR MOTOR DATA C

Gear ratio		3	3.6	5	6	7.5	9	10	12.5	15	18	20	25	30	36	40	50	60	75	90	100	120	150	180	200	250	300	500	600	750	
Nominal torque	Nm	0.40	0.48	0.67	0.80	1.0	1.2	1.3	1.7	2.0	2.4	2.4	3.0	3.6	4.3	4.8	6.0	6.5	8.0²	8.0²	8.0²	8.0²	8.0²	8.0²	8.0²	8.0²	8.0²	8.0²	8.0²	8.0²	●
Nominal speed	rpm	520	430	310	260	210	170	160	120	100	86	78	62	52	43	39	31	26	21	17	16	13	10	9	8	6	5	3	3	2	
Nominal power	W	22	22	22	22	22	22	22	22	22	20	20	20	20	20	20	20	18	17	14	13	11	8.7	7.2	6.5	5.2	4.3	2.6	2.2	1.7	
Gearb. nom. torq.³	Nm	8	8	8	8	8	8	8	8	8	8	8	8	8	8	8	8	8	8	8	8	8	8	8	8	8	8	8	8	8	
Gearbox efficiency	%	81	81	81	81	81	81	81	81	81	73	73	73	73	73	73	66	66	66	66	66	66	66	66	66	59	59	59	59	59	
Radial load⁴	N	150	150	150	150	150	150	150	150	150	300	300	300	300	300	300	300	300	300	300	300	300	300	300	300	300	300	300	300	300	
Direction of rot.		CW	CW	CW	CW	CW	CW	CW	CW	CW	CW	CW	CCW	CCW	CCW	CCW	CW	CW	CW	CW	CW	CW	CW	CW	CW	CCW	CCW	CCW	CCW	CCW	
Weight	kg	2.4	2.4	2.4	2.4	2.4	2.4	2.4	2.4	2.4	2.4	2.4	2.4	2.4	2.4	2.4	2.4	2.4	2.4	2.4	2.4	2.4	2.4	2.4	2.4	2.4	2.4	2.4	2.4	2.4	

OTHER GEAR MOTOR DATA C

Service life	h	10000
Performance tolerances		± 15
Operating temperature	°C	-10 to 40
IP rating⁵		IP20 IP54
Manufacturing standard		ISO 9001
CE label UL label		No No

AC INDUCTION MOTOR DATA C

Nominal voltage	V	120
No. of phases		1
Frequency	Hz	60
No. of poles		4
Nominal speed	rpm	1600
Nominal torque	mNm	170
Nominal current	A	0.5
Nominal power	W	25
Stall torque	mNm	120
Insulation class		B
Motor cable		AWG20
Motor cable length	mm	300
Capacitor included in delivery	µF	7
Insulation resistance	MΩ	100
Dielectric strength	kV	1.5
Max. winding temperature	°C	80
Weight	kg	1.6

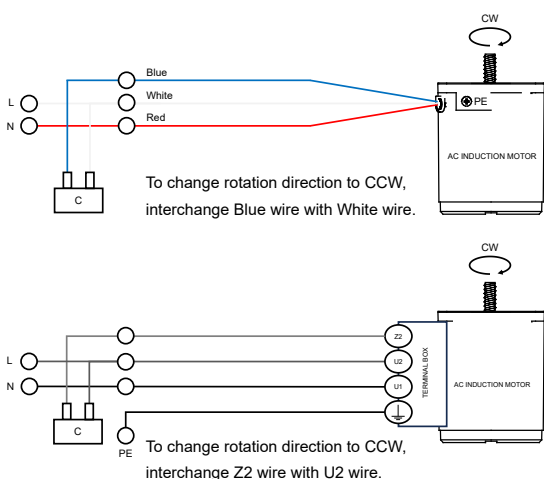
GEAR MOTOR RANGE AI-SERIES¹

Nominal voltage	V	See separate datasheet
Nominal power	W	See separate datasheet
Dimension	mm	See separate datasheet

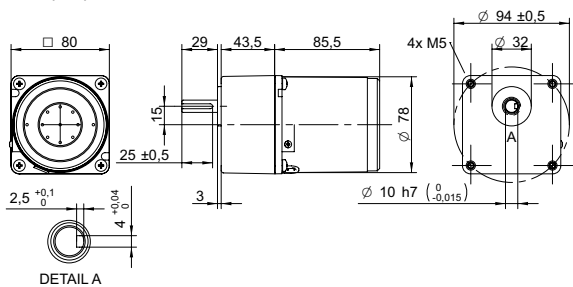
NOTES

1. See page 29 of this catalog.
2. Gear motor torque limited by gearbox.
3. Gearbox nominal torque.
4. 20 mm from shaft.
5. IP20 without terminal box, IP54 with terminal box.
6. Cables/wires for connecting terminal box not included with AC induction motor.
7. Visit www.transmotec.com to view datasheets.

WIRING DIAGRAM AC INDUCTION MOTOR²

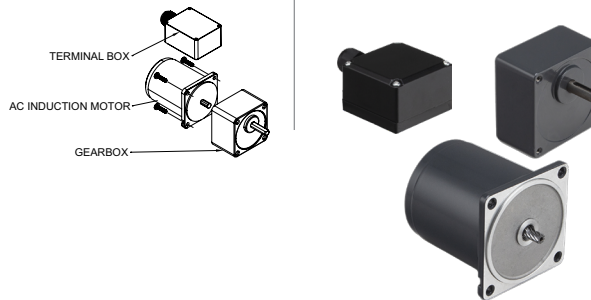


DRAWING (mm)

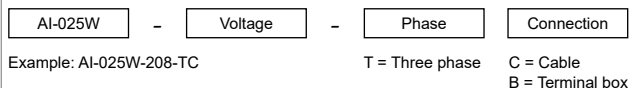


AC induction motor and gearbox also sold separately.

PHOTO



MODEL NO. DESIGNATION



ACCESSORIES¹



C = customizations are offered on demand even for smaller quantities. Typical customizations are indicated with a green dot at column end. Please contact us for any customization request.

GEAR MOTOR DATA C

Gear ratio		3	3.6	5	6	7.5	9	10	12.5	15	18	20	25	30	36	40	50	60	75	90	100	120	150	180	200	250	300	500	600	750	●
Nominal torque	Nm	0.40	0.48	0.67	0.80	1.0	1.2	1.3	1.7	2.0	2.4	2.4	3.0	3.6	4.3	4.8	6.0	6.5	8.0 ²	8.0 ²	8.0 ²	8.0 ²	8.0 ²	8.0 ²	8.0 ²	8.0 ²	8.0 ²	8.0 ²	8.0 ²	8.0 ²	●
Nominal speed	rpm	520	430	310	260	210	170	160	120	100	86	78	62	52	43	39	31	26	21	17	16	13	10	9	8	6	5	3	3	2	●
Nominal power	W	22	22	22	22	22	22	22	22	22	20	20	20	20	20	20	20	18	17	14	13	11	8.7	7.2	6.5	5.2	4.3	2.6	2.2	1.7	●
Gearb. nom. torq. ³	Nm	8	8	8	8	8	8	8	8	8	8	8	8	8	8	8	8	8	8	8	8	8	8	8	8	8	8	8	8	8	●
Gearbox efficiency	%	81	81	81	81	81	81	81	81	81	73	73	73	73	73	73	66	66	66	66	66	66	66	66	66	59	59	59	59	59	●
Radial load ⁴	N	150	150	150	150	150	150	150	150	150	300	300	300	300	300	300	300	300	300	300	300	300	300	300	300	300	300	300	300	300	●
Direction of rot.		CW	CW	CW	CW	CW	CW	CW	CW	CW	CW	CW	CCW	CCW	CCW	CCW	CCW	CW	CW	CW	CW	CW	CW	CW	CW	CW	CCW	CCW	CCW	CCW	●
Weight	kg	2.4	2.4	2.4	2.4	2.4	2.4	2.4	2.4	2.4	2.4	2.4	2.4	2.4	2.4	2.4	2.4	2.4	2.4	2.4	2.4	2.4	2.4	2.4	2.4	2.4	2.4	2.4	2.4	2.4	●

OTHER GEAR MOTOR DATA C

Service life	h	10000
Performance tolerances		± 15
Operating temperature	°C	-10 to 40
IP rating ⁵		IP20 IP54
Manufacturing standard		ISO 9001
CE label UL label		No No

AC INDUCTION MOTOR DATA C

Nominal voltage	V	220
No. of phases		3
Frequency	Hz	60
No. of poles		4
Nominal speed	rpm	1600
Nominal torque	mNm	170
Nominal current	A	0.17
Nominal power	W	25
Stall torque	mNm	250
Insulation class		B
Motor cable		AWG20
Motor cable length	mm	300
Capacitor included in delivery	µF	-
Insulation resistance	MΩ	100
Dielectric strength	kV	1.5
Max. winding temperature	°C	80
Weight	kg	1.6

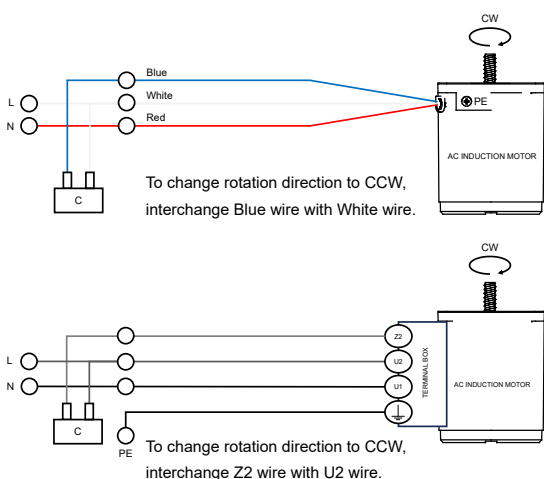
GEAR MOTOR RANGE AI-SERIES¹

Nominal voltage	V	See separate datasheet
Nominal power	W	See separate datasheet
Dimension	mm	See separate datasheet

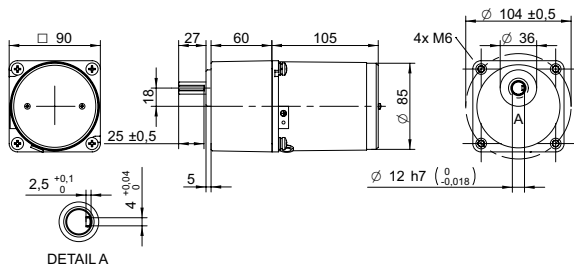
NOTES

- See page 29 of this catalog.
- Gear motor torque limited by gearbox.
- Gearbox nominal torque.
- 20 mm from shaft.
- IP20 without terminal box, IP54 with terminal box.
- Cables/wires for connecting terminal box not included with AC induction motor.
- Visit www.transmotec.com to view datasheets.

WIRING DIAGRAM AC INDUCTION MOTOR⁶

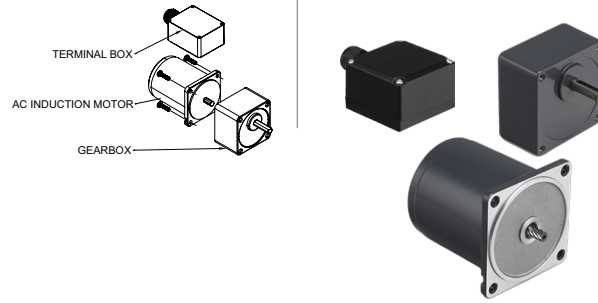


DRAWING (mm)

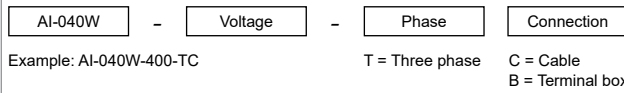


AC induction motor and gearbox also sold separately.

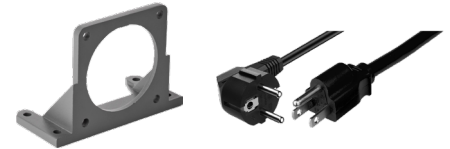
PHOTO



MODEL NO. DESIGNATION



ACCESSORIES¹



● C = customizations are offered on demand even for smaller quantities. Typical customizations are indicated with a green dot at column end. Please contact us for any customization request.

GEAR MOTOR DATA

Gear ratio	3	3.6	5	6	7.5	9	10	12.5	15	18	20	25	30	36	40	50	60	75	90	100	120	150	180	200	250	300	500	600	750	
Nominal torque	Nm	0.77	0.92	1.3	1.5	1.9	2.3	2.6	3.2	3.8	4.6	4.6	5.7	6.9	8.3	9.2	10 ²	10 ²	10 ²	10 ²	10 ²	10 ²	10 ²	10 ²	10 ²	10 ²	10 ²	10 ²	10 ²	●
Nominal speed	rpm	420	350	250	210	170	140	130	100	83	69	63	50	42	35	31	25	21	17	14	13	10	8	7	6	5	4	3	2	2
Nominal power	W	33	33	33	33	33	33	33	33	33	30	30	30	30	30	26	22	17	15	13	11	8.7	7.3	6.5	5.2	4.4	2.6	2.2	1.7	
Gearb. nom. torq. ³	Nm	10	10	10	10	10	10	10	10	10	10	10	10	10	10	10	10	10	10	10	10	10	10	10	10	10	10	10	10	
Gearbox efficiency	%	81	81	81	81	81	81	81	81	81	73	73	73	73	73	73	66	66	66	66	66	66	66	66	59	59	59	59	59	
Radial load ⁴	N	350	350	350	350	350	350	350	350	350	450	450	450	450	450	450	450	450	450	450	450	450	450	450	450	450	450	450	450	
Direction of rot.		CW	CW	CW	CW	CW	CW	CW	CW	CW	CCW	CCW	CCW	CCW	CW	CW	CW	CW	CW	CW	CW	CW	CW	CW	CW	CCW	CCW	CCW	CCW	
Weight	kg	3.8	3.8	3.8	3.8	3.8	3.8	3.8	3.8	3.8	3.8	3.8	3.8	3.8	3.8	3.8	3.8	3.8	3.8	3.8	3.8	3.8	3.8	3.8	3.8	3.8	3.8	3.8	3.8	

OTHER GEAR MOTOR DATA

Service life	h	10000
Performance tolerances		± 15
Operating temperature	°C	-10 to 40
IP rating ⁵		IP20 IP54
Manufacturing standard		ISO 9001
CE label UL label		Yes No

AC INDUCTION MOTOR DATA

Nominal voltage	V	380
No. of phases		3
Frequency	Hz	50
No. of poles		4
Nominal speed	rpm	1300
Nominal torque	mNm	320
Nominal current	A	0.17
Nominal power	W	40
Stall torque	mNm	800
Insulation class		B
Motor cable		AWG20
Motor cable length	mm	300
Capacitor included in delivery	µF	-
Insulation resistance	MΩ	100
Dielectric strength	kV	1.5
Max. winding temperature	°C	80
Weight	kg	2.4

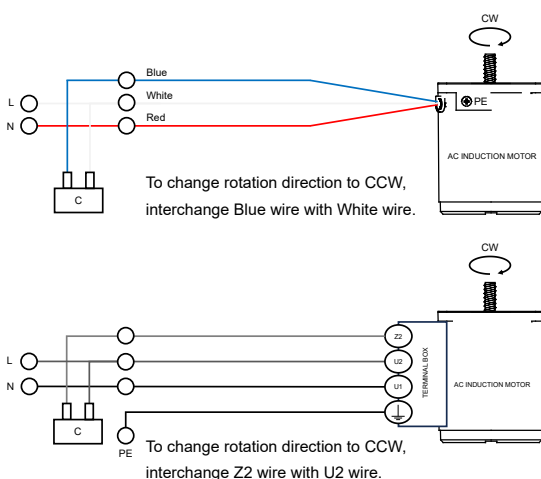
GEAR MOTOR RANGE AI-SERIES¹

Nominal voltage	V	See separate datasheet
Nominal power	W	See separate datasheet
Dimension	mm	See separate datasheet

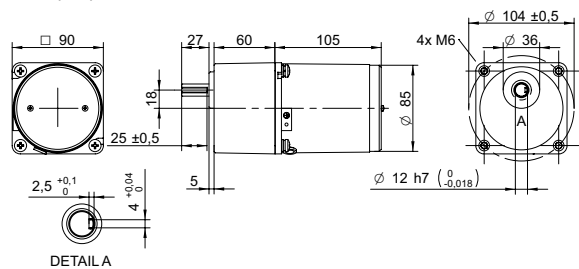
NOTES

1. See page 29 of this catalog.
2. Gear motor torque limited by gearbox.
3. Gearbox nominal torque.
4. 20 mm from shaft.
5. IP20 without terminal box, IP54 with terminal box.
6. Cables/wires for connecting terminal box not included with AC induction motor.
7. Visit www.transmotec.com to view datasheets.

WIRING DIAGRAM AC INDUCTION MOTOR⁶

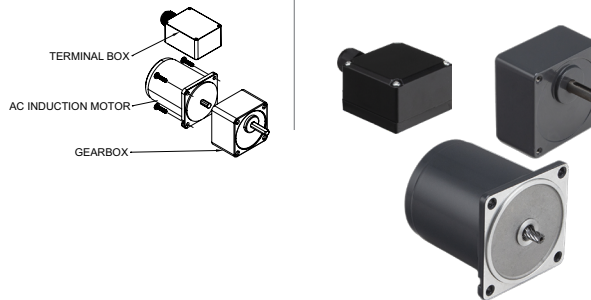


DRAWING (mm)

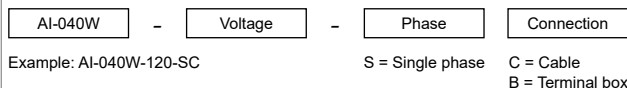


AC induction motor and gearbox also sold separately.

PHOTO



MODEL NO. DESIGNATION



ACCESSORIES¹



● C = customizations are offered on demand even for smaller quantities. Typical customizations are indicated with a green dot at column end. Please contact us for any customization request.

GEAR MOTOR DATA C

Gear ratio		3	3.6	5	6	7.5	9	10	12.5	15	18	20	25	30	36	40	50	60	75	90	100	120	150	180	200	250	300	500	600	750	●
Nominal torque	Nm	0.63	0.76	1.1	1.3	1.6	1.9	2.1	2.6	3.2	3.8	3.8	4.7	5.7	6.8	7.6	9.5	10 ²	10 ²	10 ²	10 ²	10 ²	10 ²	10 ²	10 ²	10 ²	10 ²	10 ²	10 ²	10 ²	
Nominal speed	rpm	520	430	310	260	210	170	160	120	100	86	78	62	52	43	39	31	26	21	17	16	13	10	9	8	6	5	3	3	2	
Nominal power	W	34	34	34	34	34	34	34	34	34	34	31	31	31	31	31	31	27	22	18	16	14	11	9.0	8.1	6.5	5.4	3.2	2.7	2.2	
Gearb. nom. torq. ³	Nm	10	10	10	10	10	10	10	10	10	10	10	10	10	10	10	10	10	10	10	10	10	10	10	10	10	10	10	10	10	
Gearbox efficiency	%	81	81	81	81	81	81	81	81	81	81	73	73	73	73	73	73	66	66	66	66	66	66	66	66	59	59	59	59	59	
Radial load ⁴	N	350	350	350	350	350	350	350	350	350	450	450	450	450	450	450	450	450	450	450	450	450	450	450	450	450	450	450	450	450	
Direction of rot.		CW	CW	CW	CW	CW	CW	CW	CW	CW	CCW	CCW	CCW	CCW	CW	CW	CW	CW	CW	CW	CW	CW	CW	CW	CW	CCW	CCW	CCW	CCW	CCW	
Weight	kg	3.8	3.8	3.8	3.8	3.8	3.8	3.8	3.8	3.8	3.8	3.8	3.8	3.8	3.8	3.8	3.8	3.8	3.8	3.8	3.8	3.8	3.8	3.8	3.8	3.8	3.8	3.8	3.8	3.8	

OTHER GEAR MOTOR DATA C

Service life	h	10000
Performance tolerances		± 15
Operating temperature	°C	-10 to 40
IP rating ⁵		IP20 IP54
Manufacturing standard		ISO 9001
CE label UL label		No No

AC INDUCTION MOTOR DATA C

Nominal voltage	V	120
No. of phases		1
Frequency	Hz	60
No. of poles		4
Nominal speed	rpm	1600
Nominal torque	mNm	260
Nominal current	A	0.6
Nominal power	W	40
Stall torque	mNm	200
Insulation class		B
Motor cable		AWG20
Motor cable length	mm	300
Capacitor included in delivery	µF	8
Insulation resistance	MΩ	100
Dielectric strength	kV	1.5
Max. winding temperature	°C	80
Weight	kg	2.4

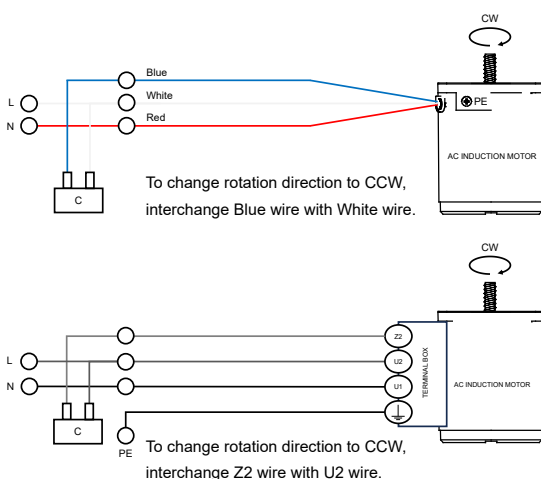
GEAR MOTOR RANGE AI-SERIES¹

Nominal voltage	V	See separate datasheet
Nominal power	W	See separate datasheet
Dimension	mm	See separate datasheet

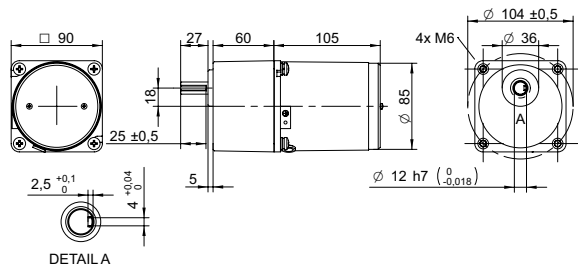
NOTES

1. See page 29 of this catalog.
2. Gear motor torque limited by gearbox.
3. Gearbox nominal torque.
4. 20 mm from shaft.
5. IP20 without terminal box, IP54 with terminal box.
6. Cables/wires for connecting terminal box not included with AC induction motor.
7. Visit www.transmotec.com to view datasheets.

WIRING DIAGRAM AC INDUCTION MOTOR⁶

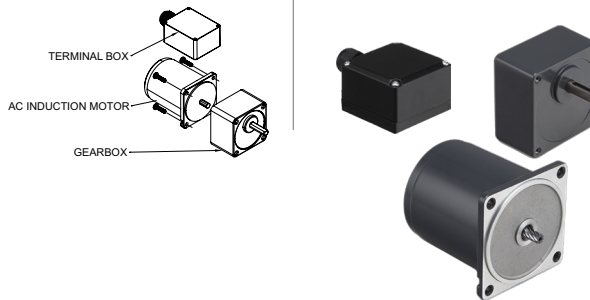


DRAWING (mm)

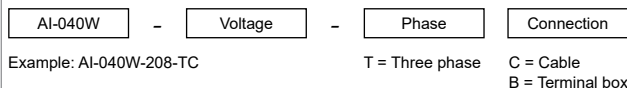


AC induction motor and gearbox also sold separately.

PHOTO



MODEL NO. DESIGNATION



ACCESSORIES¹



C = customizations are offered on demand even for smaller quantities. Typical customizations are indicated with a green dot at column end. Please contact us for any customization request.

GEAR MOTOR DATA C

Gear ratio		3	3.6	5	6	7.5	9	10	12.5	15	18	20	25	30	36	40	50	60	75	90	100	120	150	180	200	250	300	500	600	750	●
Nominal torque	Nm	0.61	0.73	1.0	1.2	1.5	1.8	2.0	2.5	3.0	3.6	3.7	4.6	5.5	6.6	7.3	9.1	9.9	10 ²	10 ²	10 ²	10 ²	10 ²	10 ²	10 ²	10 ²	10 ²	10 ²	10 ²	10 ²	
Nominal speed	rpm	520	430	310	260	210	170	160	120	100	86	78	62	52	43	39	31	26	21	17	16	13	10	9	8	6	5	3	3	2	
Nominal power	W	33	33	33	33	33	33	33	33	33	33	30	30	30	30	30	30	27	22	18	16	14	11	9.0	8.1	6.5	5.4	3.2	2.7	2.2	
Gearb. nom. torq. ³	Nm	10	10	10	10	10	10	10	10	10	10	10	10	10	10	10	10	10	10	10	10	10	10	10	10	10	10	10	10	10	
Gearbox efficiency	%	81	81	81	81	81	81	81	81	81	81	73	73	73	73	73	73	66	66	66	66	66	66	66	66	59	59	59	59	59	
Radial load ⁴	N	350	350	350	350	350	350	350	350	350	350	450	450	450	450	450	450	450	450	450	450	450	450	450	450	450	450	450	450	450	
Direction of rot.		CW	CW	CW	CW	CW	CW	CW	CW	CW	CCW	CCW	CCW	CCW	CW	CW	CW	CW	CW	CW	CW	CW	CW	CW	CW	CCW	CCW	CCW	CCW	CCW	
Weight	kg	3.8	3.8	3.8	3.8	3.8	3.8	3.8	3.8	3.8	3.8	3.8	3.8	3.8	3.8	3.8	3.8	3.8	3.8	3.8	3.8	3.8	3.8	3.8	3.8	3.8	3.8	3.8	3.8	3.8	

OTHER GEAR MOTOR DATA C

Service life	h	10000
Performance tolerances		± 15
Operating temperature	°C	-10 to 40
IP rating ⁵		IP20 IP54
Manufacturing standard		ISO 9001
CE label UL label		No No

AC INDUCTION MOTOR DATA C

Nominal voltage	V	220
No. of phases		3
Frequency	Hz	60
No. of poles		4
Nominal speed	rpm	1600
Nominal torque	mNm	250
Nominal current	A	0.25
Nominal power	W	40
Stall torque	mNm	660
Insulation class		B
Motor cable		AWG20
Motor cable length	mm	300
Capacitor included in delivery	µF	-
Insulation resistance	MΩ	100
Dielectric strength	kV	1.5
Max. winding temperature	°C	80
Weight	kg	2.4

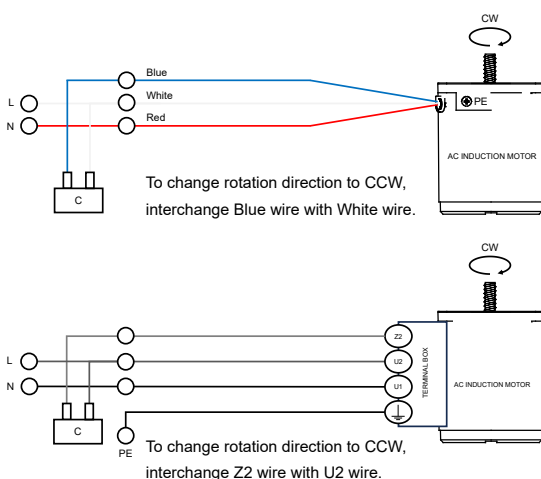
GEAR MOTOR RANGE AI-SERIES¹

Nominal voltage	V	See separate datasheet
Nominal power	W	See separate datasheet
Dimension	mm	See separate datasheet

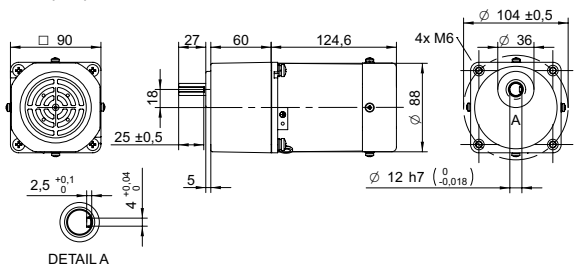
NOTES

- See page 29 of this catalog.
- Gear motor torque limited by gearbox.
- Gearbox nominal torque.
- 20 mm from shaft.
- IP20 without terminal box, IP54 with terminal box.
- Cables/wires for connecting terminal box not included with AC induction motor.
- Visit www.transmotec.com to view datasheets.

WIRING DIAGRAM AC INDUCTION MOTOR⁶

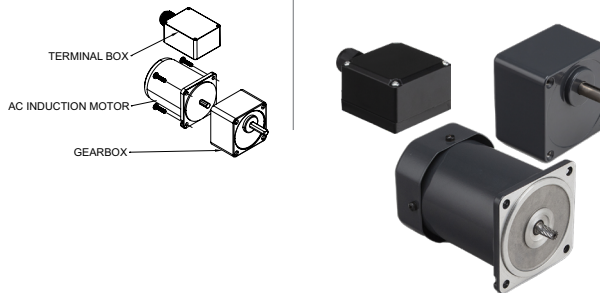


DRAWING (mm)

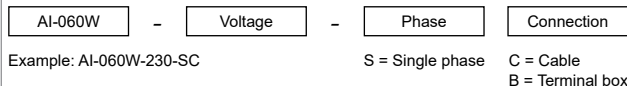


AC induction motor and gearbox also sold separately.

PHOTO



MODEL NO. DESIGNATION



ACCESSORIES¹



C = customizations are offered on demand even for smaller quantities. Typical customizations are indicated with a green dot at column end. Please contact us for any customization request.

GEAR MOTOR DATA

	3	3.6	5	6	7.5	9	10	12.5	15	18	20	25	30	36	40	50	60	75	90	100	120	150	180	200	250	300	500	600	750
Gear ratio	3	3.6	5	6	7.5	9	10	12.5	15	18	20	25	30	36	40	50	60	75	90	100	120	150	180	200	250	300	500	600	750
Nominal torque Nm	1.1	1.4	1.9	2.3	2.9	3.4	3.8	4.8	5.7	6.9	6.9	8.6	10 ²	10 ²	10 ²	10 ²	10 ²	10 ²	10 ²	10 ²	10 ²	10 ²	10 ²	10 ²	10 ²	10 ²	10 ²	10 ²	10 ²
Nominal speed rpm	420	350	250	210	170	140	130	100	83	69	63	50	42	35	31	25	21	17	14	13	10	8	7	6	6	5	3	3	2
Nominal power W	50	50	50	50	50	50	50	50	50	50	45	45	44	36	33	26	22	17	15	13	11	8.7	7.3	6.5	6.5	5.4	3.2	2.7	2.2
Gearb. nom. torq. ³ Nm	10	10	10	10	10	10	10	10	10	10	10	10	10	10	10	10	10	10	10	10	10	10	10	10	10	10	10	10	10
Gearbox efficiency %	81	81	81	81	81	81	81	81	81	81	73	73	73	73	73	73	66	66	66	66	66	66	66	66	59	59	59	59	59
Radial load ⁴ N	350	350	350	350	350	350	350	350	350	350	450	450	450	450	450	450	450	450	450	450	450	450	450	450	450	450	450	450	450
Direction of rot.	CW	CW	CW	CW	CW	CW	CW	CW	CW	CW	CCW	CCW	CCW	CCW	CW	CW	CW	CW	CW	CW	CW	CW	CW	CW	CW	CCW	CCW	CCW	CCW
Weight kg	4.1	4.1	4.1	4.1	4.1	4.1	4.1	4.1	4.1	4.1	4.1	4.1	4.1	4.1	4.1	4.1	4.1	4.1	4.1	4.1	4.1	4.1	4.1	4.1	4.1	4.1	4.1	4.1	4.1

OTHER GEAR MOTOR DATA

Service life	h	10000
Performance tolerances		± 15
Operating temperature	°C	-10 to 40
IP rating ⁵		IP20 IP54
Manufacturing standard		ISO 9001
CE label UL label		Yes No

AC INDUCTION MOTOR DATA

Nominal voltage	V	230
No. of phases		1
Frequency	Hz	50
No. of poles		4
Nominal speed	rpm	1300
Nominal torque	mNm	470
Nominal current	A	0.55
Nominal power	W	60
Stall torque	mNm	340
Insulation class		B
Motor cable		AWG18
Motor cable length	mm	300
Capacitor included in delivery	µF	4
Insulation resistance	MΩ	100
Dielectric strength	kV	1.5
Max. winding temperature	°C	80
Weight	kg	2.7

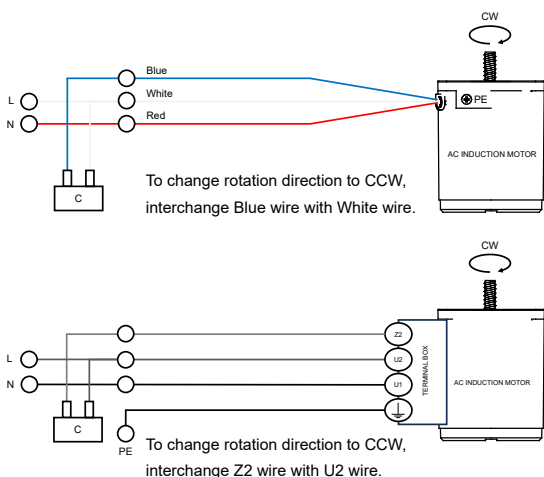
GEAR MOTOR RANGE AI-SERIES¹

Nominal voltage	V	See separate datasheet
Nominal power	W	See separate datasheet
Dimension	mm	See separate datasheet

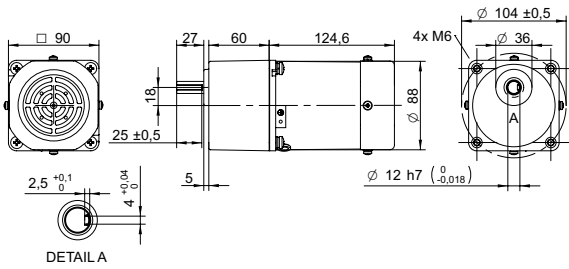
NOTES

- See page 29 of this catalog.
- Gear motor torque limited by gearbox.
- Gearbox nominal torque.
- 20 mm from shaft.
- IP20 without terminal box, IP54 with terminal box.
- Cables/wires for connecting terminal box not included with AC induction motor.
- Visit www.transmotec.com to view datasheets.

WIRING DIAGRAM AC INDUCTION MOTOR⁶

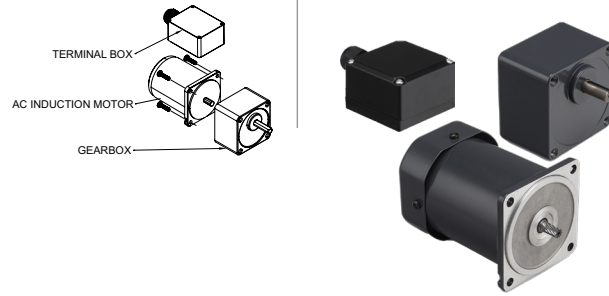


DRAWING (mm)

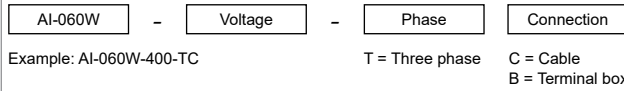


AC induction motor and gearbox also sold separately.

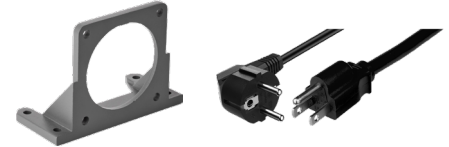
PHOTO



MODEL NO. DESIGNATION



ACCESSORIES¹



¹ C = customizations are offered on demand even for smaller quantities. Typical customizations are indicated with a green dot at column end. Please contact us for any customization request.

GEAR MOTOR DATA

Gear ratio	3	3.6	5	6	7.5	9	10	12.5	15	18	20	25	30	36	40	50	60	75	90	100	120	150	180	200	250	300	500	600	750
Nominal torque	Nm 1.1	1.4	1.9	2.3	2.9	3.4	3.8	4.8	5.7	6.9	6.9	8.6	10 ²	10 ²	10 ²	10 ²	10 ²	10 ²	10 ²	10 ²	10 ²	10 ²	10 ²	10 ²	10 ²	10 ²	10 ²	10 ²	●
Nominal speed	rpm 420	350	250	210	170	140	130	100	83	69	63	50	42	35	31	25	21	17	14	13	10	8	7	6	6	5	3	3	2
Nominal power	W 50	50	50	50	50	50	50	50	50	50	45	45	44	36	33	26	22	17	15	13	11	8.7	7.3	6.5	6.5	5.4	3.2	2.7	2.2
Gearb. nom. torq. ³	Nm 10	10	10	10	10	10	10	10	10	10	10	10	10	10	10	10	10	10	10	10	10	10	10	10	10	10	10	10	10
Gearbox efficiency	% 81	81	81	81	81	81	81	81	81	81	73	73	73	73	73	73	66	66	66	66	66	66	66	66	59	59	59	59	59
Radial load ⁴	N 350	350	350	350	350	350	350	350	350	350	450	450	450	450	450	450	450	450	450	450	450	450	450	450	450	450	450	450	450
Direction of rot.	CW	CW	CW	CW	CW	CW	CW	CW	CW	CW	CCW	CCW	CCW	CCW	CW	CW	CW	CW	CW	CW	CW	CW	CW	CW	CW	CCW	CCW	CCW	CCW
Weight	kg 4.1	4.1	4.1	4.1	4.1	4.1	4.1	4.1	4.1	4.1	4.1	4.1	4.1	4.1	4.1	4.1	4.1	4.1	4.1	4.1	4.1	4.1	4.1	4.1	4.1	4.1	4.1	4.1	4.1

OTHER GEAR MOTOR DATA

Service life	h	10000
Performance tolerances		± 15
Operating temperature	°C	-10 to 40
IP rating ⁵		IP20 IP54
Manufacturing standard		ISO 9001
CE label UL label		Yes No

GEARBOX DATA

Shaft axial load	N	100
Bearing type		Ball bearing
Shaft material		40 Cr steel
Housing material		Aluminum
Material gear stage		40 Cr steel

AC INDUCTION MOTOR DATA

Nominal voltage	V	380
No. of phases		3
Frequency	Hz	50
No. of poles		4
Nominal speed	rpm	1300
Nominal torque	mNm	470
Nominal current	A	0.26
Nominal power	W	60
Stall torque	mNm	1000
Insulation class		B
Motor cable		AWG18
Motor cable length	mm	300
Capacitor included in delivery	µF	-
Insulation resistance	MΩ	100
Dielectric strength	kV	1.5
Max. winding temperature	°C	80
Weight	kg	2.7

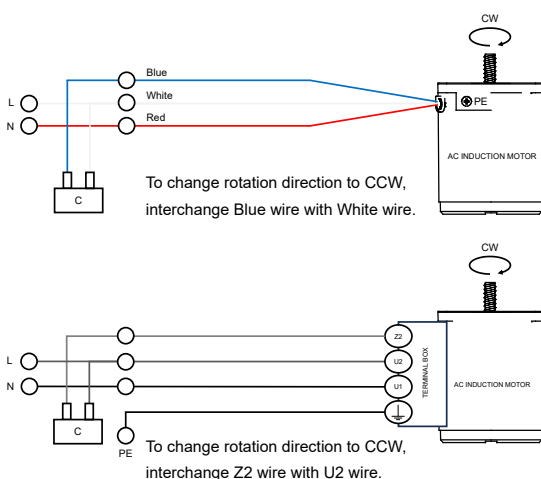
GEAR MOTOR RANGE AI-SERIES¹

Nominal voltage	V	See separate datasheet
Nominal power	W	See separate datasheet
Dimension	mm	See separate datasheet

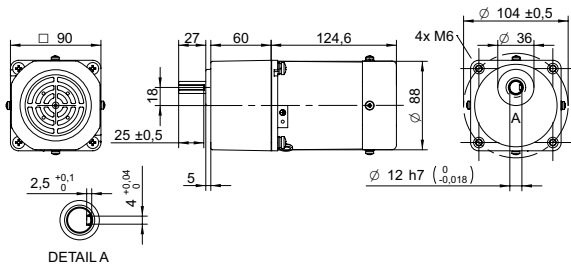
NOTES

1. See page 29 of this catalog.
2. Gear motor torque limited by gearbox.
3. Gearbox nominal torque.
4. 20 mm from shaft.
5. IP20 without terminal box, IP54 with terminal box.
6. Cables/wires for connecting terminal box not included with AC induction motor.
7. Visit www.transmotec.com to view datasheets.

WIRING DIAGRAM AC INDUCTION MOTOR⁶

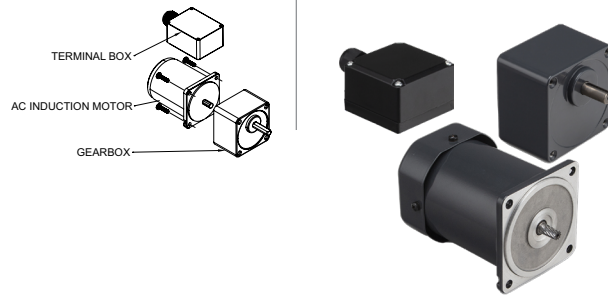


DRAWING (mm)

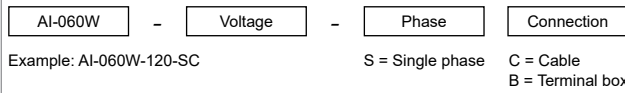


AC induction motor and gearbox also sold separately.

PHOTO



MODEL NO. DESIGNATION



ACCESSORIES¹



● C = customizations are offered on demand even for smaller quantities. Typical customizations are indicated with a green dot at column end. Please contact us for any customization request.

GEAR MOTOR DATA

	3	3.6	5	6	7.5	9	10	12.5	15	18	20	25	30	36	40	50	60	75	90	100	120	150	180	200	250	300	500	600	750	
Gear ratio	3	3.6	5	6	7.5	9	10	12.5	15	18	20	25	30	36	40	50	60	75	90	100	120	150	180	200	250	300	500	600	750	
Nominal torque	Nm	0.92	1.1	1.5	1.8	2.3	2.8	3.1	3.8	4.6	5.5	5.5	6.9	8.3	10 ²	10 ²	10 ²	10 ²	10 ²	10 ²	10 ²	10 ²	10 ²	10 ²	10 ²	10 ²	10 ²	10 ²	10 ²	
Nominal speed	rpm	520	430	310	260	210	170	160	120	100	86	78	62	52	43	39	31	26	21	17	16	13	10	9	8	6	5	3	3	2
Nominal power	W	50	50	50	50	50	50	50	50	50	45	45	45	45	41	32	27	22	18	16	14	11	9.0	8.1	6.5	5.4	3.2	2.7	2.2	
Gearb. nom. torq. ³	Nm	10	10	10	10	10	10	10	10	10	10	10	10	10	10	10	10	10	10	10	10	10	10	10	10	10	10	10	10	
Gearbox efficiency	%	81	81	81	81	81	81	81	81	81	73	73	73	73	73	73	66	66	66	66	66	66	66	66	59	59	59	59	59	
Radial load ⁴	N	350	350	350	350	350	350	350	350	350	450	450	450	450	450	450	450	450	450	450	450	450	450	450	450	450	450	450	450	
Direction of rot.		CW	CW	CW	CW	CW	CW	CW	CW	CW	CCW	CCW	CCW	CCW	CW	CW	CW	CW	CW	CW	CW	CW	CW	CW	CW	CCW	CCW	CCW	CCW	
Weight	kg	4.1	4.1	4.1	4.1	4.1	4.1	4.1	4.1	4.1	4.1	4.1	4.1	4.1	4.1	4.1	4.1	4.1	4.1	4.1	4.1	4.1	4.1	4.1	4.1	4.1	4.1	4.1	4.1	

OTHER GEAR MOTOR DATA

Service life	h	10000
Performance tolerances		± 15
Operating temperature	°C	-10 to 40
IP rating ⁵		IP20 IP54
Manufacturing standard		ISO 9001
CE label UL label		No No

AC INDUCTION MOTOR DATA

Nominal voltage	V	120
No. of phases		1
Frequency	Hz	60
No. of poles		4
Nominal speed	rpm	1600
Nominal torque	mNm	380
Nominal current	A	0.85
Nominal power	W	60
Stall torque	mNm	300
Insulation class		B
Motor cable		AWG18
Motor cable length	mm	300
Capacitor included in delivery	µF	12
Insulation resistance	MΩ	100
Dielectric strength	kV	1.5
Max. winding temperature	°C	80
Weight	kg	2.7

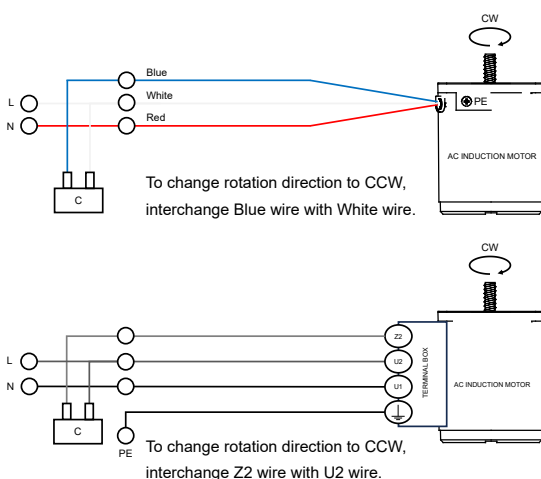
GEAR MOTOR RANGE AI-SERIES⁷

Nominal voltage	V	See separate datasheet
Nominal power	W	See separate datasheet
Dimension	mm	See separate datasheet

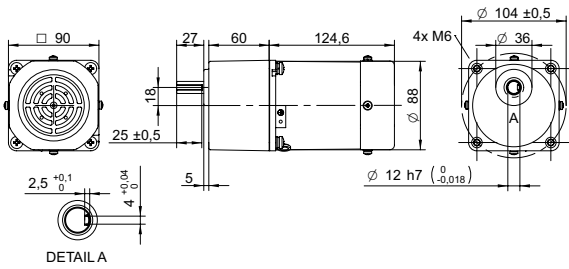
NOTES

- See page 29 of this catalog.
- Gear motor torque limited by gearbox.
- Gearbox nominal torque.
- 20 mm from shaft.
- IP20 without terminal box, IP54 with terminal box.
- Cables/wires for connecting terminal box not included with AC induction motor.
- Visit www.transmotec.com to view datasheets.

WIRING DIAGRAM AC INDUCTION MOTOR⁶

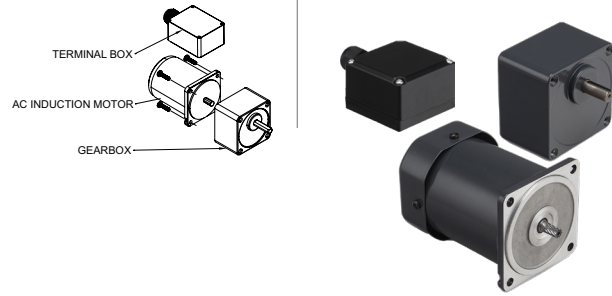


DRAWING (mm)

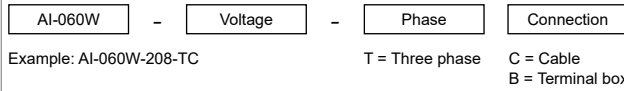


AC induction motor and gearbox also sold separately.

PHOTO



MODEL NO. DESIGNATION



ACCESSORIES¹



● C = customizations are offered on demand even for smaller quantities. Typical customizations are indicated with a green dot at column end. Please contact us for any customization request.

GEAR MOTOR DATA

	3	3.6	5	6	7.5	9	10	12.5	15	18	20	25	30	36	40	50	60	75	90	100	120	150	180	200	250	300	500	600	750	
Gear ratio	3	3.6	5	6	7.5	9	10	12.5	15	18	20	25	30	36	40	50	60	75	90	100	120	150	180	200	250	300	500	600	750	
Nominal torque	Nm	0.92	1.1	1.5	1.8	2.3	2.8	3.1	3.8	4.6	5.5	5.5	6.9	8.3	10 ²	10 ²	10 ²	10 ²	10 ²	10 ²	10 ²	10 ²	10 ²	10 ²	10 ²	10 ²	10 ²	10 ²	●	
Nominal speed	rpm	520	430	310	260	210	170	160	120	100	86	78	62	52	43	39	31	26	21	17	16	13	10	9	8	6	5	3	3	2
Nominal power	W	50	50	50	50	50	50	50	50	50	45	45	45	45	41	32	27	22	18	16	14	11	9.0	8.1	6.5	5.4	3.2	2.7	2.2	
Gearb. nom. torq. ³	Nm	10	10	10	10	10	10	10	10	10	10	10	10	10	10	10	10	10	10	10	10	10	10	10	10	10	10	10	10	10
Gearbox efficiency	%	81	81	81	81	81	81	81	81	81	73	73	73	73	73	73	66	66	66	66	66	66	66	66	59	59	59	59	59	
Radial load ⁴	N	350	350	350	350	350	350	350	350	350	450	450	450	450	450	450	450	450	450	450	450	450	450	450	450	450	450	450	450	450
Direction of rot.		CW	CW	CW	CW	CW	CW	CW	CW	CW	CCW	CCW	CCW	CCW	CW	CW	CW	CW	CW	CW	CW	CW	CW	CW	CW	CCW	CCW	CCW	CCW	CCW
Weight	kg	4.1	4.1	4.1	4.1	4.1	4.1	4.1	4.1	4.1	4.1	4.1	4.1	4.1	4.1	4.1	4.1	4.1	4.1	4.1	4.1	4.1	4.1	4.1	4.1	4.1	4.1	4.1	4.1	4.1

OTHER GEAR MOTOR DATA

Service life	h	10000
Performance tolerances		± 15
Operating temperature	°C	-10 to 40
IP rating ⁵		IP20 IP54
Manufacturing standard		ISO 9001
CE label UL label		No No

AC INDUCTION MOTOR DATA

Nominal voltage	V	220
No. of phases		3
Frequency	Hz	60
No. of poles		4
Nominal speed	rpm	1600
Nominal torque	mNm	380
Nominal current	A	0.4
Nominal power	W	60
Stall torque	mNm	800
Insulation class		B
Motor cable		AWG18
Motor cable length	mm	300
Capacitor included in delivery	µF	-
Insulation resistance	MΩ	100
Dielectric strength	kV	1.5
Max. winding temperature	°C	80
Weight	kg	2.7

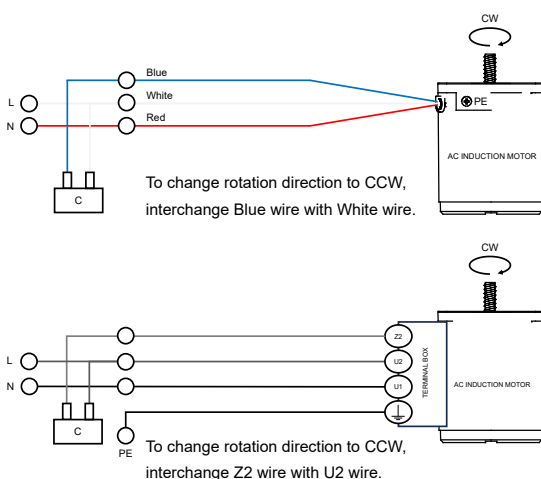
GEAR MOTOR RANGE AI-SERIES¹

Nominal voltage	V	See separate datasheet
Nominal power	W	See separate datasheet
Dimension	mm	See separate datasheet

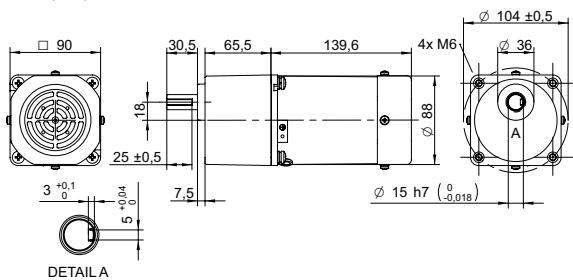
NOTES

1. See page 29 of this catalog.
2. Gear motor torque limited by gearbox.
3. Gearbox nominal torque.
4. 20 mm from shaft.
5. IP20 without terminal box, IP54 with terminal box.
6. Cables/wires for connecting terminal box not included with AC induction motor.
7. Visit www.transmotec.com to view datasheets.

WIRING DIAGRAM AC INDUCTION MOTOR⁶

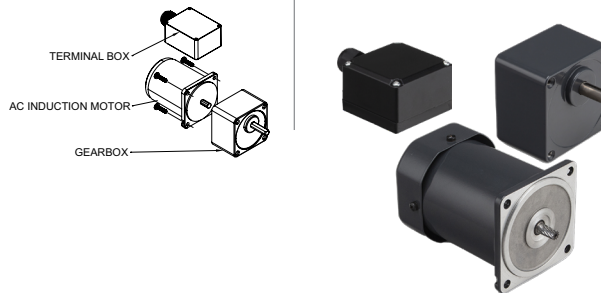


DRAWING (mm)

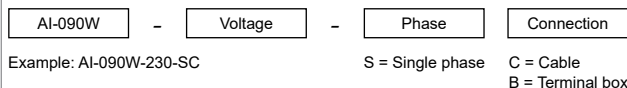


AC induction motor and gearbox also sold separately.

PHOTO



MODEL NO. DESIGNATION



ACCESSORIES¹



C = customizations are offered on demand even for smaller quantities. Typical customizations are indicated with a green dot at column end. Please contact us for any customization request.

GEAR MOTOR DATA C

Gear ratio		3	3.6	5	6	7.5	9	10	12.5	15	18	20	25	30	36	40	50	60	75	90	100	120	150	180	200	
Nominal torque	Nm	1.7	2.0	2.8	3.4	4.3	5.1	5.7	7.1	8.5	10	10	13	15	18	20 ²	20 ²	20 ²	20 ²	20 ²	20 ²	20 ²	20 ²	20 ²	20 ²	●
Nominal speed	rpm	420	350	250	210	170	140	130	100	83	69	63	50	42	35	31	25	21	17	14	13	10	8	7	6	
Nominal power	W	74	74	74	74	74	74	74	74	74	74	67	67	67	67	65	52	44	35	29	26	22	17	15	13	
Gearb. nom. torq. ³	Nm	20	20	20	20	20	20	20	20	20	20	20	20	20	20	20	20	20	20	20	20	20	20	20	20	
Gearbox efficiency	%	81	81	81	81	81	81	81	81	81	81	73	73	73	73	73	73	66	66	66	66	66	66	66	66	
Radial load ⁴	N	500	500	500	500	500	500	600	600	600	600	700	700	700	700	700	700	700	700	700	700	700	700	700	700	
Direction of rot.		CW	CW	CW	CW	CW	CW	CCW	CCW	CCW	CCW	CW	CW	CW	CW	CW	CW	CW	CW	CCW	CCW	CCW	CCW	CCW	CCW	
Weight	kg	4.7	4.7	4.7	4.7	4.7	4.7	4.7	4.7	4.7	4.7	4.7	4.7	4.7	4.7	4.7	4.7	4.7	4.7	4.7	4.7	4.7	4.7	4.7	4.7	

OTHER GEAR MOTOR DATA C AC INDUCTION MOTOR DATA C GEAR MOTOR RANGE AI-SERIES¹

Service life	h	10000
Performance tolerances		± 15
Operating temperature	°C	-10 to 40
IP rating ⁵		IP20 IP54
Manufacturing standard		ISO 9001
CE label UL label		Yes No

AC INDUCTION MOTOR DATA C

Nominal voltage	V	230
No. of phases		1
Frequency	Hz	50
No. of poles		4
Nominal speed	rpm	1300
Nominal torque	mNm	700
Nominal current	A	0.7
Nominal power	W	90
Stall torque	mNm	450
Insulation class		B
Motor cable		AWG18
Motor cable length	mm	300
Capacitor included in delivery	µF	5
Insulation resistance	MΩ	100
Dielectric strength	kV	1.5
Max. winding temperature	°C	80
Weight	kg	3.2

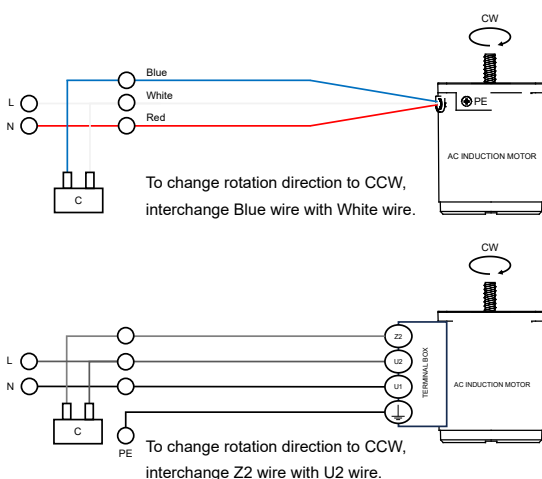
GEAR MOTOR RANGE AI-SERIES¹

Nominal voltage	V	See separate datasheet
Nominal power	W	See separate datasheet
Dimension	mm	See separate datasheet

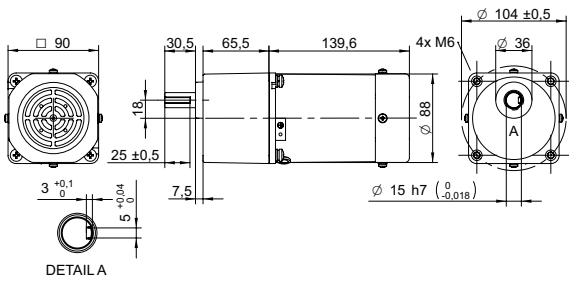
NOTES

- See page 29 of this catalog.
- Gear motor torque limited by gearbox.
- Gearbox nominal torque.
- 20 mm from shaft.
- IP20 without terminal box, IP54 with terminal box.
- Cables/wires for connecting terminal box not included with AC induction motor.
- Visit www.transmotec.com to view datasheets.

WIRING DIAGRAM AC INDUCTION MOTOR⁶

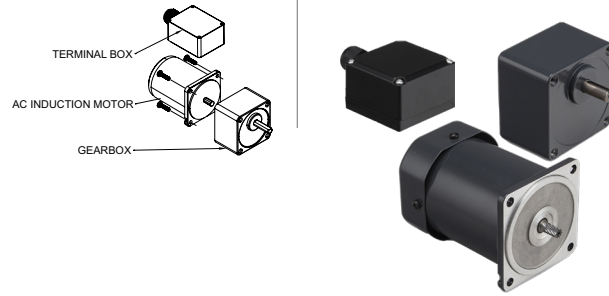


DRAWING (mm)

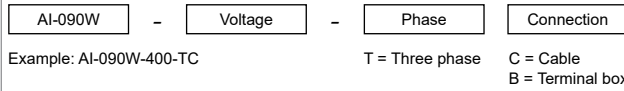


AC induction motor and gearbox also sold separately.

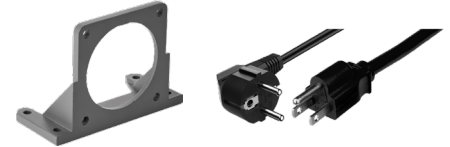
PHOTO



MODEL NO. DESIGNATION



ACCESSORIES¹



C = customizations are offered on demand even for smaller quantities. Typical customizations are indicated with a green dot at column end. Please contact us for any customization request.

GEAR MOTOR DATA

		3	3.6	5	6	7.5	9	10	12.5	15	18	20	25	30	36	40	50	60	75	90	100	120	150	180	200	
Gear ratio		3	3.6	5	6	7.5	9	10	12.5	15	18	20	25	30	36	40	50	60	75	90	100	120	150	180	200	
Nominal torque	Nm	1.7	2.0	2.8	3.4	4.3	5.1	5.7	7.1	8.5	10	10	13	15	18	20 ²	20 ²	20 ²	20 ²	20 ²	20 ²	20 ²	20 ²	20 ²	20 ²	●
Nominal speed	rpm	420	350	250	210	170	140	130	100	83	69	63	50	42	35	31	25	21	17	14	13	10	8	7	6	
Nominal power	W	74	74	74	74	74	74	74	74	74	74	67	67	67	67	65	52	44	35	29	26	22	17	15	13	
Gearb. nom. torq. ³	Nm	20	20	20	20	20	20	20	20	20	20	20	20	20	20	20	20	20	20	20	20	20	20	20	20	
Gearbox efficiency	%	81	81	81	81	81	81	81	81	81	81	73	73	73	73	73	73	66	66	66	66	66	66	66	66	
Radial load ⁴	N	500	500	500	500	500	500	600	600	600	600	700	700	700	700	700	700	700	700	700	700	700	700	700	700	
Direction of rot.		CW	CW	CW	CW	CW	CW	CCW	CCW	CCW	CCW	CW	CW	CW	CW	CW	CW	CW	CW	CCW	CCW	CCW	CCW	CCW	CCW	
Weight	kg	4.7	4.7	4.7	4.7	4.7	4.7	4.7	4.7	4.7	4.7	4.7	4.7	4.7	4.7	4.7	4.7	4.7	4.7	4.7	4.7	4.7	4.7	4.7	4.7	

OTHER GEAR MOTOR DATA

Service life	h	10000
Performance tolerances		± 15
Operating temperature	°C	-10 to 40
IP rating ⁵		IP20 IP54
Manufacturing standard		ISO 9001
CE label UL label		Yes No

GEARBOX DATA

Shaft axial load	N	150
Bearing type		Ball bearing
Shaft material		40 Cr steel
Housing material		Aluminum
Material gear stage		40 Cr steel

AC INDUCTION MOTOR DATA

Nominal voltage	V	380
No. of phases		3
Frequency	Hz	50
No. of poles		4
Nominal speed	rpm	1300
Nominal torque	mNm	700
Nominal current	A	0.35
Nominal power	W	90
Stall torque	mNm	1400
Insulation class		B
Motor cable		AWG18
Motor cable length	mm	300
Capacitor included in delivery	µF	-
Insulation resistance	MΩ	100
Dielectric strength	kV	1.5
Max. winding temperature	°C	80
Weight	kg	3.2

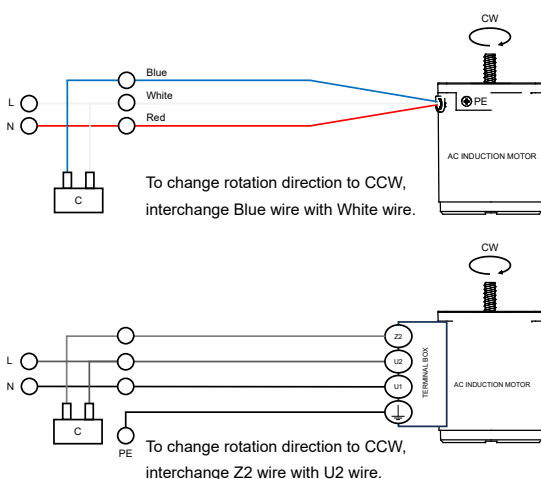
GEAR MOTOR RANGE AI-SERIES¹

Nominal voltage	V	See separate datasheet
Nominal power	W	See separate datasheet
Dimension	mm	See separate datasheet

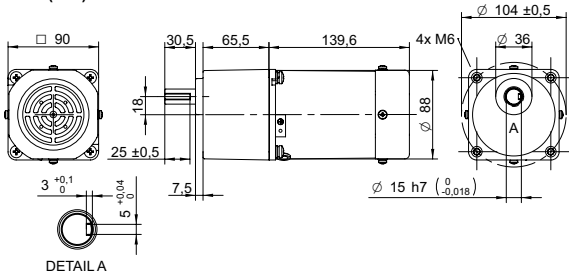
NOTES

- See page 29 of this catalog.
- Gear motor torque limited by gearbox.
- Gearbox nominal torque.
- 20 mm from shaft.
- IP20 without terminal box, IP54 with terminal box.
- Cables/wires for connecting terminal box not included with AC induction motor.
- Visit www.transmotec.com to view datasheets.

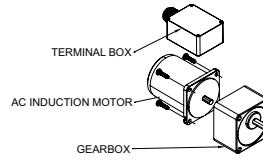
WIRING DIAGRAM AC INDUCTION MOTOR⁶



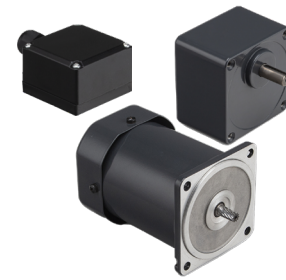
DRAWING (mm)



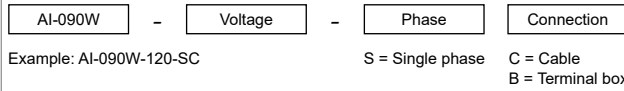
AC induction motor and gearbox also sold separately.



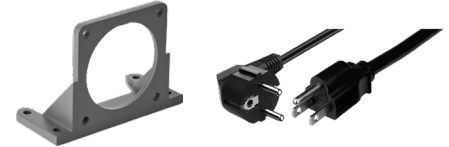
PHOTO



MODEL NO. DESIGNATION



ACCESSORIES¹



C = customizations are offered on demand even for smaller quantities. Typical customizations are indicated with a green dot at column end. Please contact us for any customization request.

GEAR MOTOR DATA

		3	3.6	5	6	7.5	9	10	12.5	15	18	20	25	30	36	40	50	60	75	90	100	120	150	180	200
Gear ratio		3	3.6	5	6	7.5	9	10	12.5	15	18	20	25	30	36	40	50	60	75	90	100	120	150	180	200
Nominal torque	Nm	1.4	1.7	2.3	2.8	3.5	4.2	4.6	5.8	6.9	8.3	8.3	10	12	15	17	20 ²	20 ²	20 ²	20 ²	20 ²	20 ²	20 ²	20 ²	20 ²
Nominal speed	rpm	520	430	310	260	210	170	160	120	100	86	78	62	52	43	39	31	26	21	17	16	13	10	9	8
Nominal power	W	75	75	75	75	75	75	75	75	75	75	68	68	68	68	68	65	54	43	36	32	27	22	18	16
Gearb. nom. torq. ³	Nm	20	20	20	20	20	20	20	20	20	20	20	20	20	20	20	20	20	20	20	20	20	20	20	20
Gearbox efficiency	%	81	81	81	81	81	81	81	81	81	81	73	73	73	73	73	73	66	66	66	66	66	66	66	66
Radial load ⁴	N	500	500	500	500	500	500	600	600	600	600	700	700	700	700	700	700	700	700	700	700	700	700	700	700
Direction of rot.		CW	CW	CW	CW	CW	CW	CCW	CCW	CCW	CCW	CW	CW	CW	CW	CW	CW	CW	CW	CCW	CCW	CCW	CCW	CCW	CCW
Weight	kg	4.7	4.7	4.7	4.7	4.7	4.7	4.7	4.7	4.7	4.7	4.7	4.7	4.7	4.7	4.7	4.7	4.7	4.7	4.7	4.7	4.7	4.7	4.7	

OTHER GEAR MOTOR DATA

Service life	h	10000
Performance tolerances		± 15
Operating temperature	°C	-10 to 40
IP rating ⁵		IP20 IP54
Manufacturing standard		ISO 9001
CE label UL label		No No

AC INDUCTION MOTOR DATA

Nominal voltage	V	120
No. of phases		1
Frequency	Hz	60
No. of poles		4
Nominal speed	rpm	1600
Nominal torque	mNm	570
Nominal current	A	1.5
Nominal power	W	90
Stall torque	mNm	500
Insulation class		B
Motor cable		AWG18
Motor cable length	mm	300
Capacitor included in delivery	µF	20
Insulation resistance	MΩ	100
Dielectric strength	kV	1.5
Max. winding temperature	°C	80
Weight	kg	3.2

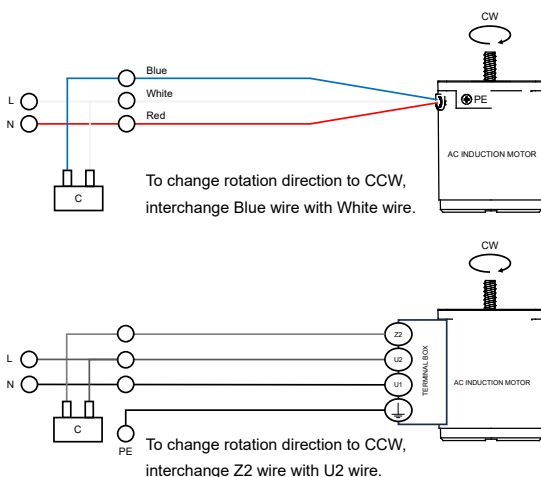
GEAR MOTOR RANGE AI-SERIES⁷

Nominal voltage	V	See separate datasheet
Nominal power	W	See separate datasheet
Dimension	mm	See separate datasheet

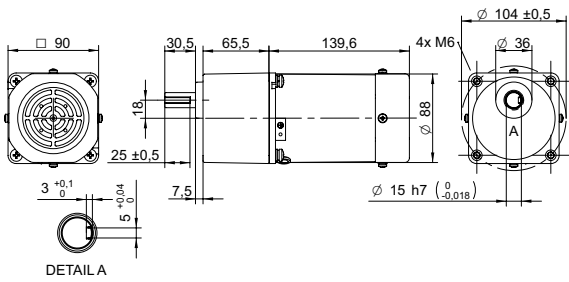
NOTES

- See page 29 of this catalog.
- Gear motor torque limited by gearbox.
- Gearbox nominal torque.
- 20 mm from shaft.
- IP20 without terminal box, IP54 with terminal box.
- Cables/wires for connecting terminal box not included with AC induction motor.
- Visit www.transmotec.com to view datasheets.

WIRING DIAGRAM AC INDUCTION MOTOR⁶

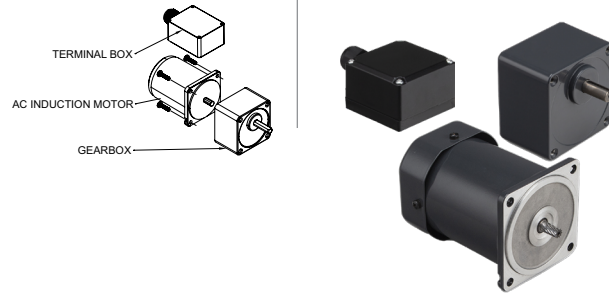


DRAWING (mm)

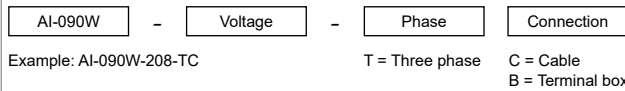


AC induction motor and gearbox also sold separately.

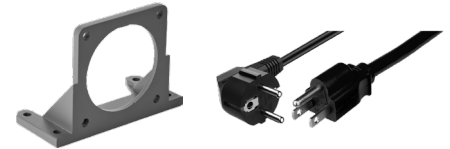
PHOTO



MODEL NO. DESIGNATION



ACCESSORIES¹



C = customizations are offered on demand even for smaller quantities. Typical customizations are indicated with a green dot at column end. Please contact us for any customization request.

GEAR MOTOR DATA

		3	3.6	5	6	7.5	9	10	12.5	15	18	20	25	30	36	40	50	60	75	90	100	120	150	180	200
Gear ratio		3	3.6	5	6	7.5	9	10	12.5	15	18	20	25	30	36	40	50	60	75	90	100	120	150	180	200
Nominal torque	Nm	1.4	1.7	2.3	2.8	3.5	4.2	4.6	5.8	6.9	8.3	8.3	10	12	15	17	20 ²	20 ²	20 ²	20 ²	20 ²	20 ²	20 ²	20 ²	20 ²
Nominal speed	rpm	520	430	310	260	210	170	160	120	100	86	78	62	52	43	39	31	26	21	17	16	13	10	9	8
Nominal power	W	75	75	75	75	75	75	75	75	75	75	68	68	68	68	68	65	54	43	36	32	27	22	18	16
Gearb. nom. torq. ³	Nm	20	20	20	20	20	20	20	20	20	20	20	20	20	20	20	20	20	20	20	20	20	20	20	20
Gearbox efficiency	%	81	81	81	81	81	81	81	81	81	81	73	73	73	73	73	73	66	66	66	66	66	66	66	66
Radial load ⁴	N	500	500	500	500	500	500	600	600	600	600	700	700	700	700	700	700	700	700	700	700	700	700	700	700
Direction of rot.		CW	CW	CW	CW	CW	CW	CCW	CCW	CCW	CCW	CW	CW	CW	CW	CW	CW	CW	CW	CCW	CCW	CCW	CCW	CCW	CCW
Weight	kg	4.7	4.7	4.7	4.7	4.7	4.7	4.7	4.7	4.7	4.7	4.7	4.7	4.7	4.7	4.7	4.7	4.7	4.7	4.7	4.7	4.7	4.7	4.7	4.7

OTHER GEAR MOTOR DATA

Service life	h	10000
Performance tolerances		± 15
Operating temperature	°C	-10 to 40
IP rating ⁵		IP20 IP54
Manufacturing standard		ISO 9001
CE label UL label		No No

AC INDUCTION MOTOR DATA

Nominal voltage	V	220
No. of phases		3
Frequency	Hz	60
No. of poles		4
Nominal speed	rpm	1600
Nominal torque	mNm	570
Nominal current	A	0.55
Nominal power	W	90
Stall torque	mNm	1100
Insulation class		B
Motor cable		AWG18
Motor cable length	mm	300
Capacitor included in delivery	µF	-
Insulation resistance	MΩ	100
Dielectric strength	kV	1.5
Max. winding temperature	°C	80
Weight	kg	3.2

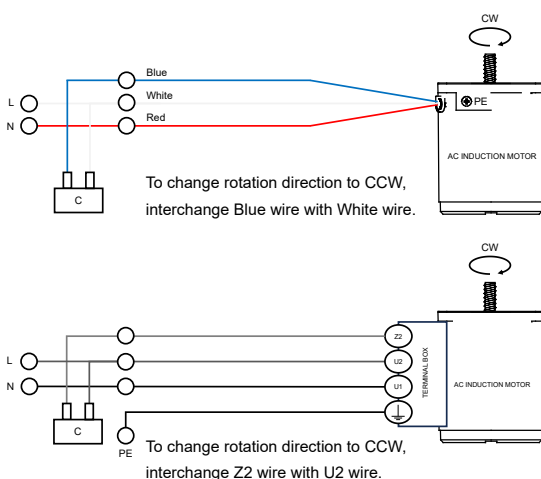
GEAR MOTOR RANGE AI-SERIES⁷

Nominal voltage	V	See separate datasheet
Nominal power	W	See separate datasheet
Dimension	mm	See separate datasheet

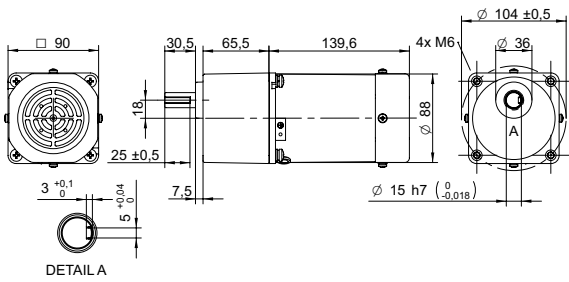
NOTES

- See page 29 of this catalog.
- Gear motor torque limited by gearbox.
- Gearbox nominal torque.
- 20 mm from shaft.
- IP20 without terminal box, IP54 with terminal box.
- Cables/wires for connecting terminal box not included with AC induction motor.
- Visit www.transmotec.com to view datasheets.

WIRING DIAGRAM AC INDUCTION MOTOR⁶

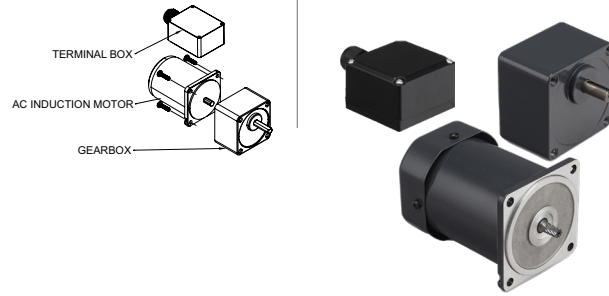


DRAWING (mm)

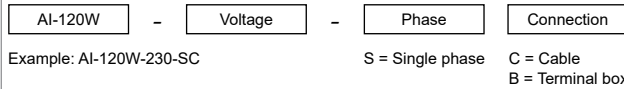


AC induction motor and gearbox also sold separately.

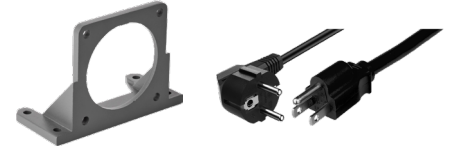
PHOTO



MODEL NO. DESIGNATION



ACCESSORIES¹



C = customizations are offered on demand even for smaller quantities. Typical customizations are indicated with a green dot at column end. Please contact us for any customization request.

GEAR MOTOR DATA

		3	3.6	5	6	7.5	9	10	12.5	15	18	20	25	30	36	40	50	60	75	90	100	120	150	180	200
Gear ratio		3	3.6	5	6	7.5	9	10	12.5	15	18	20	25	30	36	40	50	60	75	90	100	120	150	180	200
Nominal torque	Nm	2.3	2.7	3.8	4.5	5.6	6.8	7.5	9.4	11	14	14	17	20 ²	20 ²	20 ²	20 ²	20 ²	20 ²	20 ²	20 ²	20 ²	20 ²	20 ²	20 ²
Nominal speed	rpm	420	350	250	210	170	140	130	100	83	69	63	50	42	35	31	25	21	17	14	13	10	8	7	6
Nominal power	W	99	99	99	99	99	99	99	99	99	99	89	89	89	73	65	52	44	35	29	26	22	17	15	13
Gearb. nom. torq. ³	Nm	20	20	20	20	20	20	20	20	20	20	20	20	20	20	20	20	20	20	20	20	20	20	20	20
Gearbox efficiency	%	81	81	81	81	81	81	81	81	81	81	73	73	73	73	73	73	66	66	66	66	66	66	66	66
Radial load ⁴	N	500	500	500	500	500	500	600	600	600	600	700	700	700	700	700	700	700	700	700	700	700	700	700	700
Direction of rot.		CW	CW	CW	CW	CW	CW	CCW	CCW	CCW	CCW	CW	CW	CW	CW	CW	CW	CW	CW	CCW	CCW	CCW	CCW	CCW	CCW
Weight	kg	4.9	4.9	4.9	4.9	4.9	4.9	4.9	4.9	4.9	4.9	4.9	4.9	4.9	4.9	4.9	4.9	4.9	4.9	4.9	4.9	4.9	4.9	4.9	4.9

OTHER GEAR MOTOR DATA

Service life	h	10000
Performance tolerances		± 15
Operating temperature	°C	-10 to 40
IP rating ⁵		IP20 IP54
Manufacturing standard		ISO 9001
CE label UL label		Yes No

GEARBOX DATA

Shaft axial load	N	150
Bearing type		Ball bearing
Shaft material		40 Cr steel
Housing material		Aluminum
Material gear stage		40 Cr steel

AC INDUCTION MOTOR DATA

Nominal voltage	V	230
No. of phases		1
Frequency	Hz	50
No. of poles		4
Nominal speed	rpm	1300
Nominal torque	mNm	930
Nominal current	A	0.95
Nominal power	W	120
Stall torque	mNm	650
Insulation class		B
Motor cable		AWG18
Motor cable length	mm	300
Capacitor included in delivery	µF	7
Insulation resistance	MΩ	100
Dielectric strength	kV	1.5
Max. winding temperature	°C	80
Weight	kg	3.4

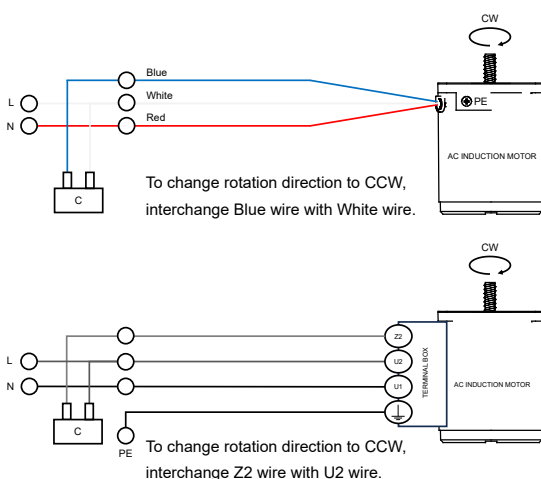
GEAR MOTOR RANGE AI-SERIES¹

Nominal voltage	V	See separate datasheet
Nominal power	W	See separate datasheet
Dimension	mm	See separate datasheet

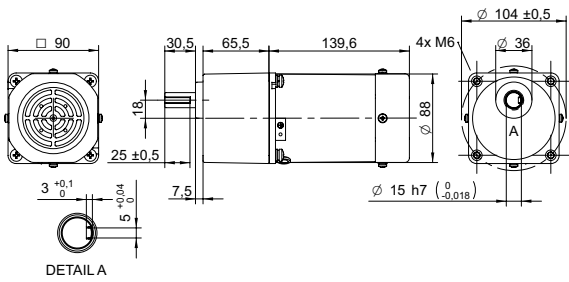
NOTES

- See page 29 of this catalog.
- Gear motor torque limited by gearbox.
- Gearbox nominal torque.
- 20 mm from shaft.
- IP20 without terminal box, IP54 with terminal box.
- Cables/wires for connecting terminal box not included with AC induction motor.
- Visit www.transmotec.com to view datasheets.

WIRING DIAGRAM AC INDUCTION MOTOR⁶

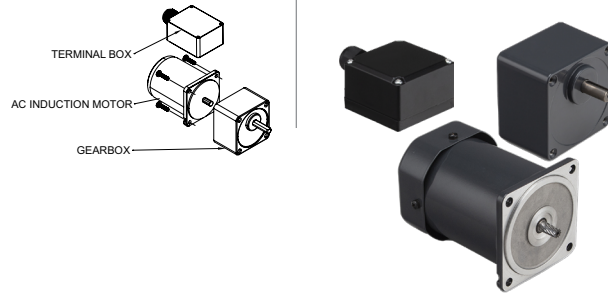


DRAWING (mm)

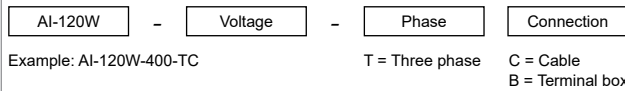


AC induction motor and gearbox also sold separately.

PHOTO



MODEL NO. DESIGNATION



ACCESSORIES¹



C = customizations are offered on demand even for smaller quantities. Typical customizations are indicated with a green dot at column end. Please contact us for any customization request.

GEAR MOTOR DATA

		3	3.6	5	6	7.5	9	10	12.5	15	18	20	25	30	36	40	50	60	75	90	100	120	150	180	200
Gear ratio		3	3.6	5	6	7.5	9	10	12.5	15	18	20	25	30	36	40	50	60	75	90	100	120	150	180	200
Nominal torque	Nm	2.3	2.7	3.8	4.5	5.6	6.8	7.5	9.4	11	14	14	17	20 ²	20 ²	20 ²	20 ²	20 ²	20 ²	20 ²	20 ²	20 ²	20 ²	20 ²	20 ²
Nominal speed	rpm	420	350	250	210	170	140	130	100	83	69	63	50	42	35	31	25	21	17	14	13	10	8	7	6
Nominal power	W	99	99	99	99	99	99	99	99	99	99	89	89	87	73	65	52	44	35	29	26	22	17	15	13
Gearb. nom. torq. ³	Nm	20	20	20	20	20	20	20	20	20	20	20	20	20	20	20	20	20	20	20	20	20	20	20	20
Gearbox efficiency	%	81	81	81	81	81	81	81	81	81	81	73	73	73	73	73	73	66	66	66	66	66	66	66	66
Radial load ⁴	N	500	500	500	500	500	500	600	600	600	600	700	700	700	700	700	700	700	700	700	700	700	700	700	700
Direction of rot.		CW	CW	CW	CW	CW	CW	CCW	CCW	CCW	CCW	CW	CW	CW	CW	CW	CW	CW	CW	CCW	CCW	CCW	CCW	CCW	CCW
Weight	kg	4.9	4.9	4.9	4.9	4.9	4.9	4.9	4.9	4.9	4.9	4.9	4.9	4.9	4.9	4.9	4.9	4.9	4.9	4.9	4.9	4.9	4.9	4.9	4.9

OTHER GEAR MOTOR DATA

Service life	h	10000
Performance tolerances		± 15
Operating temperature	°C	-10 to 40
IP rating ⁵		IP20 IP54
Manufacturing standard		ISO 9001
CE label UL label		Yes No

AC INDUCTION MOTOR DATA

Nominal voltage	V	380
No. of phases		3
Frequency	Hz	50
No. of poles		4
Nominal speed	rpm	1300
Nominal torque	mNm	930
Nominal current	A	0.4
Nominal power	W	120
Stall torque	mNm	1900
Insulation class		B
Motor cable		AWG18
Motor cable length	mm	300
Capacitor included in delivery	µF	-
Insulation resistance	MΩ	100
Dielectric strength	kV	1.5
Max. winding temperature	°C	80
Weight	kg	3.4

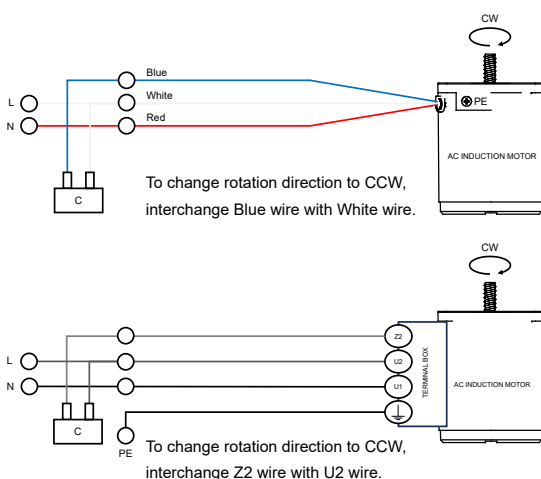
GEAR MOTOR RANGE AI-SERIES¹

Nominal voltage	V	See separate datasheet
Nominal power	W	See separate datasheet
Dimension	mm	See separate datasheet

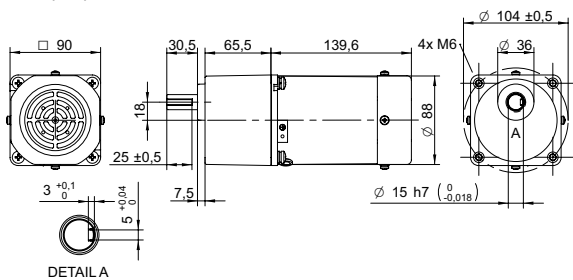
NOTES

1. See page 29 of this catalog.
2. Gear motor torque limited by gearbox.
3. Gearbox nominal torque.
4. 20 mm from shaft.
5. IP20 without terminal box, IP54 with terminal box.
6. Cables/wires for connecting terminal box not included with AC induction motor.
7. Visit www.transmotec.com to view datasheets.

WIRING DIAGRAM AC INDUCTION MOTOR⁶

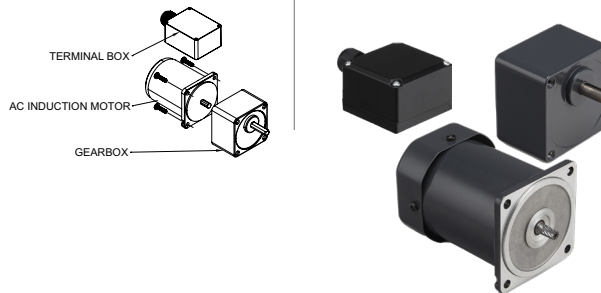


DRAWING (mm)

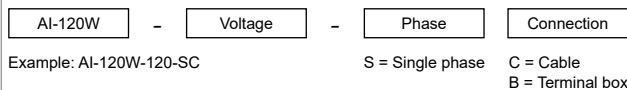


AC induction motor and gearbox also sold separately.

PHOTO



MODEL NO. DESIGNATION



ACCESSORIES¹



C = customizations are offered on demand even for smaller quantities. Typical customizations are indicated with a green dot at column end. Please contact us for any customization request.

GEAR MOTOR DATA C

Gear ratio		3	3.6	5	6	7.5	9	10	12.5	15	18	20	25	30	36	40	50	60	75	90	100	120	150	180	200
Nominal torque	Nm	1.8	2.2	3.0	3.6	4.6	5.5	6.1	7.6	9.1	11	11	14	16	20 ²	20 ²	20 ²	20 ²	20 ²	20 ²	20 ²	20 ²	20 ²	20 ²	20 ²
Nominal speed	rpm	520	430	310	260	210	170	160	120	100	86	78	62	52	43	39	31	26	21	17	16	13	10	9	8
Nominal power	W	99	99	99	99	99	99	99	99	99	99	89	89	89	90	81	65	54	43	36	32	27	22	18	16
Gearb. nom. torq. ³	Nm	20	20	20	20	20	20	20	20	20	20	20	20	20	20	20	20	20	20	20	20	20	20	20	20
Gearbox efficiency	%	81	81	81	81	81	81	81	81	81	81	73	73	73	73	73	73	66	66	66	66	66	66	66	66
Radial load ⁴	N	500	500	500	500	500	500	600	600	600	600	700	700	700	700	700	700	700	700	700	700	700	700	700	700
Direction of rot.		CW	CW	CW	CW	CW	CW	CCW	CCW	CCW	CCW	CW	CW	CW	CW	CW	CW	CW	CW	CCW	CCW	CCW	CCW	CCW	CCW
Weight	kg	4.9	4.9	4.9	4.9	4.9	4.9	4.9	4.9	4.9	4.9	4.9	4.9	4.9	4.9	4.9	4.9	4.9	4.9	4.9	4.9	4.9	4.9	4.9	4.9

OTHER GEAR MOTOR DATA C AC INDUCTION MOTOR DATA C GEAR MOTOR RANGE AI-SERIES¹

Service life	h	10000
Performance tolerances		± 15
Operating temperature	°C	-10 to 40
IP rating ⁵		IP20 IP54
Manufacturing standard		ISO 9001
CE label UL label		No No

GEARBOX DATA C

Shaft axial load	N	150
Bearing type		Ball bearing
Shaft material		40 Cr steel
Housing material		Aluminum
Material gear stage		40 Cr steel

AC INDUCTION MOTOR DATA C

Nominal voltage	V	120
No. of phases		1
Frequency	Hz	60
No. of poles		4
Nominal speed	rpm	1600
Nominal torque	mNm	750
Nominal current	A	1.8
Nominal power	W	120
Stall torque	mNm	600
Insulation class		B
Motor cable		AWG18
Motor cable length	mm	300
Capacitor included in delivery	µF	25
Insulation resistance	MΩ	100
Dielectric strength	kV	1.5
Max. winding temperature	°C	80
Weight	kg	3.4

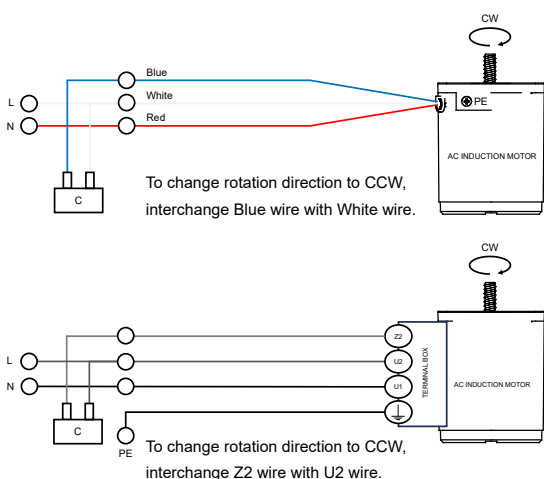
GEAR MOTOR RANGE AI-SERIES¹

Nominal voltage	V	See separate datasheet
Nominal power	W	See separate datasheet
Dimension	mm	See separate datasheet

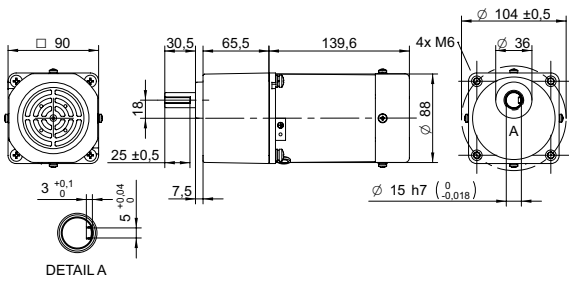
NOTES

- See page 29 of this catalog.
- Gear motor torque limited by gearbox.
- Gearbox nominal torque.
- 20 mm from shaft.
- IP20 without terminal box, IP54 with terminal box.
- Cables/wires for connecting terminal box not included with AC induction motor.
- Visit www.transmotec.com to view datasheets.

WIRING DIAGRAM AC INDUCTION MOTOR⁶

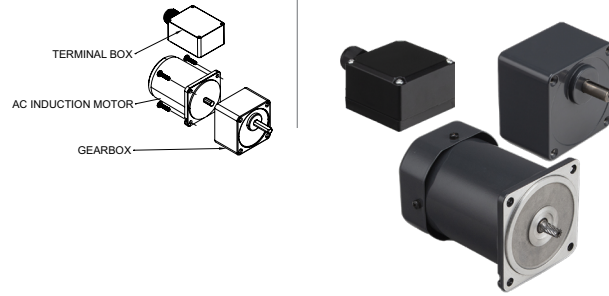


DRAWING (mm)

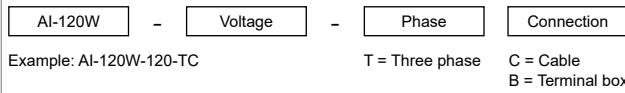


AC induction motor and gearbox also sold separately.

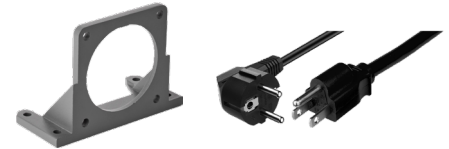
PHOTO



MODEL NO. DESIGNATION



ACCESSORIES¹



● C = customizations are offered on demand even for smaller quantities. Typical customizations are indicated with a green dot at column end. Please contact us for any customization request.

GEAR MOTOR DATA

		3	3.6	5	6	7.5	9	10	12.5	15	18	20	25	30	36	40	50	60	75	90	100	120	150	180	200	
Gear ratio		3	3.6	5	6	7.5	9	10	12.5	15	18	20	25	30	36	40	50	60	75	90	100	120	150	180	200	
Nominal torque	Nm	1.8	2.2	3.0	3.6	4.6	5.5	6.1	7.6	9.1	11	11	14	16	20 ²	20 ²	20 ²	20 ²	20 ²	20 ²	20 ²	20 ²	20 ²	20 ²	20 ²	●
Nominal speed	rpm	520	430	310	260	210	170	160	120	100	86	78	62	52	43	39	31	26	21	17	16	13	10	9	8	
Nominal power	W	99	99	99	99	99	99	99	99	99	99	89	89	89	90	81	65	54	43	36	32	27	22	18	16	
Gearb. nom. torq. ³	Nm	20	20	20	20	20	20	20	20	20	20	20	20	20	20	20	20	20	20	20	20	20	20	20	20	
Gearbox efficiency	%	81	81	81	81	81	81	81	81	81	81	73	73	73	73	73	73	66	66	66	66	66	66	66	66	
Radial load ⁴	N	500	500	500	500	500	500	600	600	600	600	700	700	700	700	700	700	700	700	700	700	700	700	700	700	
Direction of rot.		CW	CW	CW	CW	CW	CW	CCW	CCW	CCW	CCW	CW	CW	CW	CW	CW	CW	CW	CW	CCW	CCW	CCW	CCW	CCW	CCW	
Weight	kg	4.9	4.9	4.9	4.9	4.9	4.9	4.9	4.9	4.9	4.9	4.9	4.9	4.9	4.9	4.9	4.9	4.9	4.9	4.9	4.9	4.9	4.9	4.9	4.9	

OTHER GEAR MOTOR DATA

Service life	h	10000
Performance tolerances		± 15
Operating temperature	°C	-10 to 40
IP rating ⁵		IP20 IP54
Manufacturing standard		ISO 9001
CE label UL label		No No

AC INDUCTION MOTOR DATA

Nominal voltage	V	220
No. of phases		3
Frequency	Hz	60
No. of poles		4
Nominal speed	rpm	1600
Nominal torque	mNm	750
Nominal current	A	0.6
Nominal power	W	120
Stall torque	mNm	1600
Insulation class		B
Motor cable		AWG18
Motor cable length	mm	300
Capacitor included in delivery	µF	-
Insulation resistance	MΩ	100
Dielectric strength	kV	1.5
Max. winding temperature	°C	80
Weight	kg	3.4

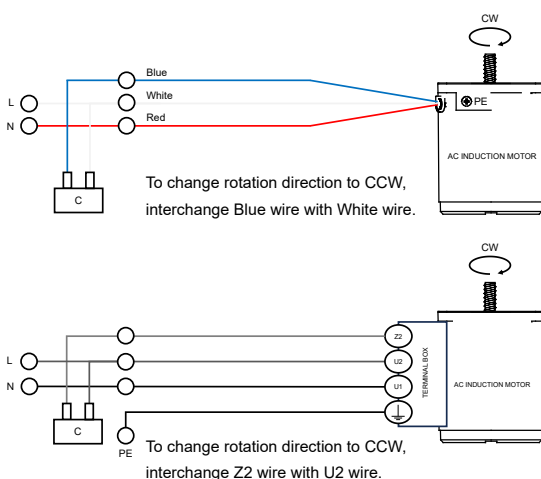
GEAR MOTOR RANGE AI-SERIES¹

Nominal voltage	V	See separate datasheet
Nominal power	W	See separate datasheet
Dimension	mm	See separate datasheet

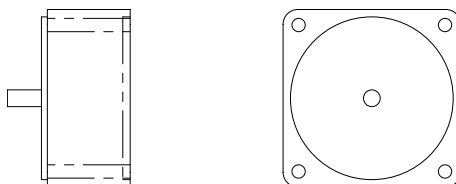
NOTES

1. See page 29 of this catalog.
2. Gear motor torque limited by gearbox.
3. Gearbox nominal torque.
4. 20 mm from shaft.
5. IP20 without terminal box, IP54 with terminal box.
6. Cables/wires for connecting terminal box not included with AC induction motor.
7. Visit www.transmotec.com to view datasheets.

WIRING DIAGRAM AC INDUCTION MOTOR⁶



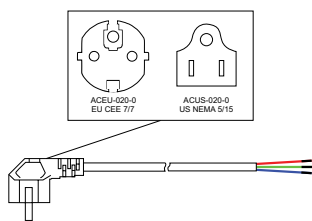
DECIMAL GEARBOX¹



DECIMAL GEARBOX DATA

Model designation	S60A-Y010	S70A-Y010	S80A-Y010	S90A-Y010	S90B-Y010	
Gear ratio	10:1	10:1	10:1	10:1	10:1	
Gearbox nominal torque	Nm	3	5	8	10	20
Description	Connected between AC motor and existing gearbox to decrease the speed further than the gear ratio listed in the table.					
Compatible models	AI-006W	AI-015W	AI-025W	AI-040W AI-060W	AI-090W AI-120W	

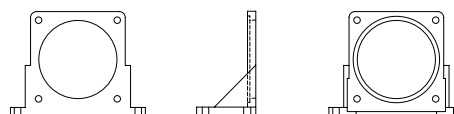
POWER CABLE



POWER CABLE DATA

Model designation	ACEU-020-0 ACUS-020-0	
Standard	EU CEE 7/7 US NEMA 5/15	
Cable length	m ft	2 8
Compatible models	All	

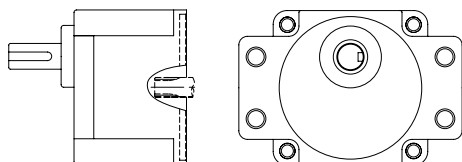
MOUNTING BRACKET



MOUNTING BRACKET DATA

Model designation	AMB-080	AMB-090	
Dimensions	mm	80X80	90x90
Compatible models	AI-025W	AI-040W AI-060W AI-090W AI-120W	

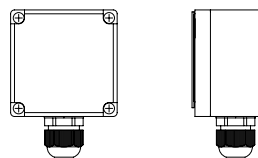
GEARBOX FLANGE MOUNTING



GEARBOX FLANGE MOUNTING DATA

Model designation	Contact us for more information.
Compatible models	AI-090W AI-120W

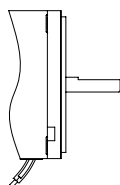
TERMINAL BOX



TERMINAL BOX DATA

Model designation	See model no. designation to order correct part number.
Compatible models	AI-025W AI-040W AI-060W AI-090W AI-120W

OUTPUT SHAFT D-CUT



OUTPUT SHAFT D-CUT DATA

Model designation	Contact us for more information.
Compatible models	All

NOTES

1. Visit www.transmotec.com to view datasheets.