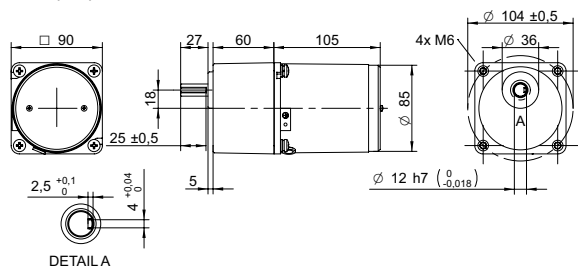
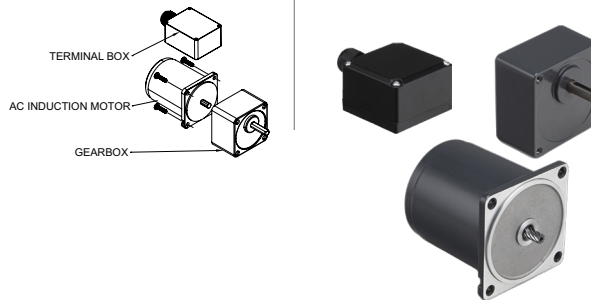


DRAWING (mm)

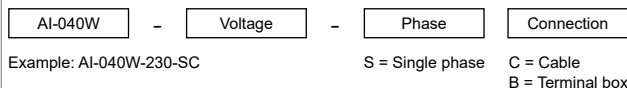


AC induction motor and gearbox also sold separately.

PHOTO



MODEL NO. DESIGNATION



ACCESSORIES¹



C = customizations are offered on demand even for smaller quantities. Typical customizations are indicated with a green dot at column end. Please contact us for any customization request.

GEAR MOTOR DATA

Gear ratio	3	3.6	5	6	7.5	9	10	12.5	15	18	20	25	30	36	40	50	60	75	90	100	120	150	180	200	250	300	500	600	750	
Nominal torque Nm	0.77	0.92	1.3	1.5	1.9	2.3	2.6	3.2	3.8	4.6	4.6	5.7	6.9	8.3	9.2	10 ²	10 ²	10 ²	10 ²	10 ²	10 ²	10 ²	10 ²	10 ²	10 ²	10 ²	10 ²	10 ²	10 ²	●
Nominal speed rpm	420	350	250	210	170	140	130	100	83	69	63	50	42	35	31	25	21	17	14	13	10	8	7	6	5	4	3	2	2	
Nominal power W	33	33	33	33	33	33	33	33	33	33	30	30	30	30	30	26	22	17	15	13	11	8.7	7.3	6.5	5.2	4.4	2.6	2.2	1.7	
Gearb. nom. torq. ³ Nm	10	10	10	10	10	10	10	10	10	10	10	10	10	10	10	10	10	10	10	10	10	10	10	10	10	10	10	10	10	
Gearbox efficiency %	81	81	81	81	81	81	81	81	81	81	73	73	73	73	73	73	66	66	66	66	66	66	66	66	59	59	59	59	59	
Radial load ⁴ N	350	350	350	350	350	350	350	350	350	350	450	450	450	450	450	450	450	450	450	450	450	450	450	450	450	450	450	450	450	
Direction of rot.	CW	CW	CW	CW	CW	CW	CW	CW	CW	CW	CCW	CCW	CCW	CCW	CW	CW	CW	CW	CW	CW	CW	CW	CW	CW	CW	CCW	CCW	CCW	CCW	CCW
Weight kg	3.8	3.8	3.8	3.8	3.8	3.8	3.8	3.8	3.8	3.8	3.8	3.8	3.8	3.8	3.8	3.8	3.8	3.8	3.8	3.8	3.8	3.8	3.8	3.8	3.8	3.8	3.8	3.8	3.8	

OTHER GEAR MOTOR DATA

Service life h	10000
Performance tolerances	± 15
Operating temperature °C	-10 to 40
IP rating ⁵	IP20 IP54
Manufacturing standard	ISO 9001
CE label UL label	Yes No

GEARBOX DATA

Shaft axial load N	100
Bearing type	Ball bearing
Shaft material	40 Cr steel
Housing material	Aluminum
Material gear stage	40 Cr steel

AC INDUCTION MOTOR DATA

Nominal voltage V	230
No. of phases	1
Frequency Hz	50
No. of poles	4
Nominal speed rpm	1300
Nominal torque mNm	320
Nominal current A	0.4
Nominal power W	40
Stall torque mNm	220
Insulation class	B
Motor cable	AWG20
Motor cable length mm	300
Capacitor included in delivery μF	2.5
Insulation resistance MΩ	100
Dielectric strength kV	1.5
Max. winding temperature °C	80
Weight kg	2.4

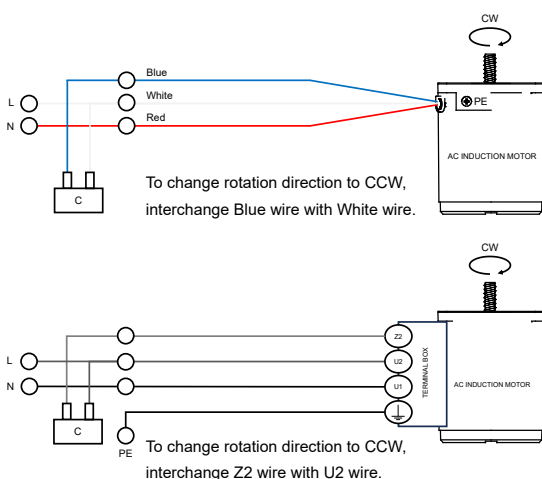
GEAR MOTOR RANGE AI-SERIES¹

Nominal voltage V	See separate datasheet
Nominal power W	See separate datasheet
Dimension mm	See separate datasheet

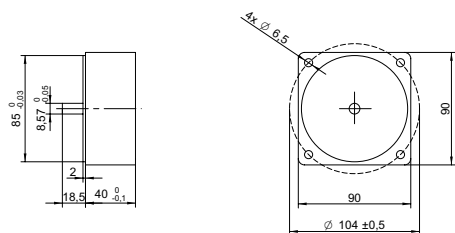
NOTES

- See page 2 of this datasheet.
- Gear motor torque limited by gearbox.
- Gearbox nominal torque.
- 20 mm from shaft.
- IP20 without terminal box, IP54 with terminal box.
- Cables/wires for connecting terminal box not included with AC induction motor.
- Visit www.transmotec.com to view datasheets.

WIRING DIAGRAM AC INDUCTION MOTOR⁶



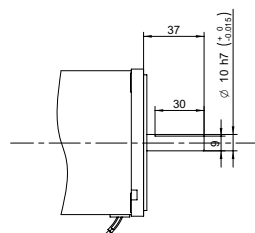
DECIMAL GEARBOX¹



DECIMAL GEARBOX DATA

Model designation	S90A-Y010	
Gear ratio	10:1	
Nominal torque	Nm	10
Description	Connected between AC motor and existing gearbox to decrease the speed further than the gear ratio listed in the table.	

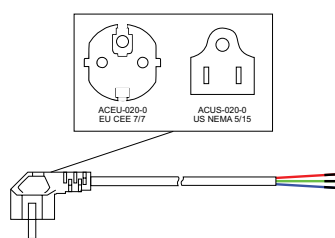
OUTPUT SHAFT D-CUT



DECIMAL GEARBOX DATA

Model designation Contact us for more information.

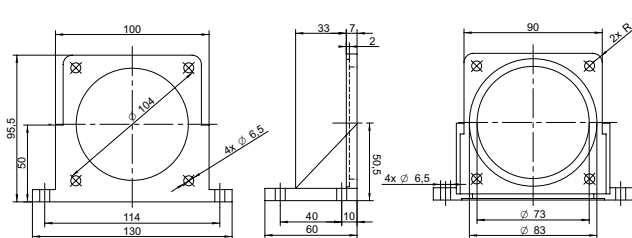
POWER CABLE



POWER CABLE DATA

Model designation	ACEU-020-0 ACUS-020-0	
Standard	EU CEE 7/7 US NEMA 5/15	
Cable length	m ft	2 8

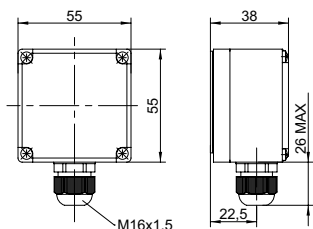
MOUNTING BRACKET



MOUNTING BRACKET DATA

Model designation	AMB-090	
Dimensions	mm	90x90

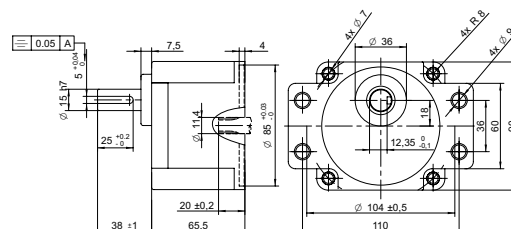
TERMINAL BOX



TERMINAL BOX DATA

Model designation See model no. designation to order correct part number.

GEARBOX FLANGE MOUNTING



GEARBOX FLANGE MOUNTING DATA

Model designation Contact us for more information.

NOTES

1. Visit www.transmotec.com to view datasheets.