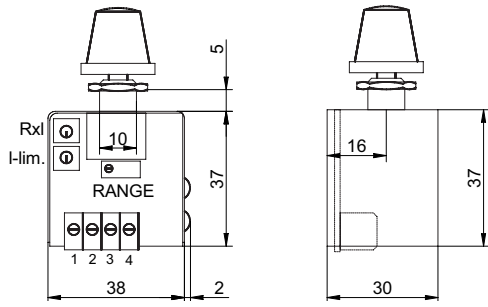


## DRAWING (mm)



## PHOTO



## MODEL NO. DESIGNATION

DPWM - Max. power

Example: DPWM-80

## ACCESSORIES



C = customizations are offered on demand even for smaller quantities. Typical customizations are indicated with a green dot at column end. Please contact us for any customization request.

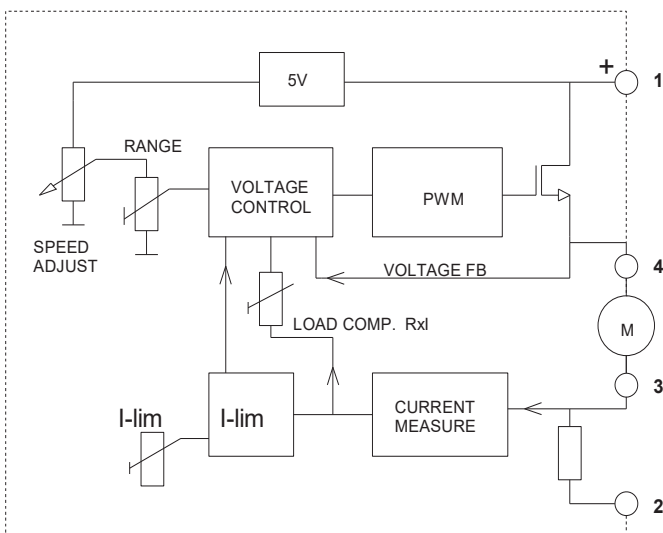
DC MOTOR SPEED CONTROLLER DATA			C
Supply voltage	V	10 to 35	
No load current	mA	20	
Nominal current <sup>1</sup>	A	3.0	
Peak current <sup>2</sup>	A	6	
Short circuit protection <sup>3</sup>		External fuse	
Current limit adjustment	A	0.5 to 6	
PWM frequency	kHz	25	
Max. motor cable cross-sectional area	mm <sup>2</sup>	1.5	
Operating temperature	°C	0 to 60	
Weight	g	75	

DC MOTOR SPEED CONTROLLER FEATURES			C
Power range	W	5 to 80	
Compatible motor		Brushed DC motor	
EMC		EN50081-2   EN50082-2	

## NOTES

1. Measured at 50°C.
2. Peak current sustainable for 10 seconds.
3. Fuse max. current 6.3 A.

## WIRING DIAGRAM



## VOLTAGE VS POTENTIOMETER GRAPH

