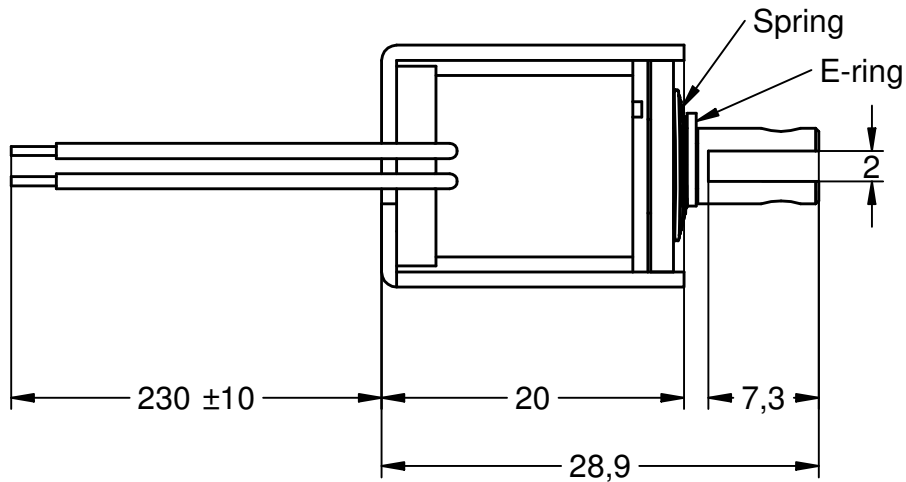
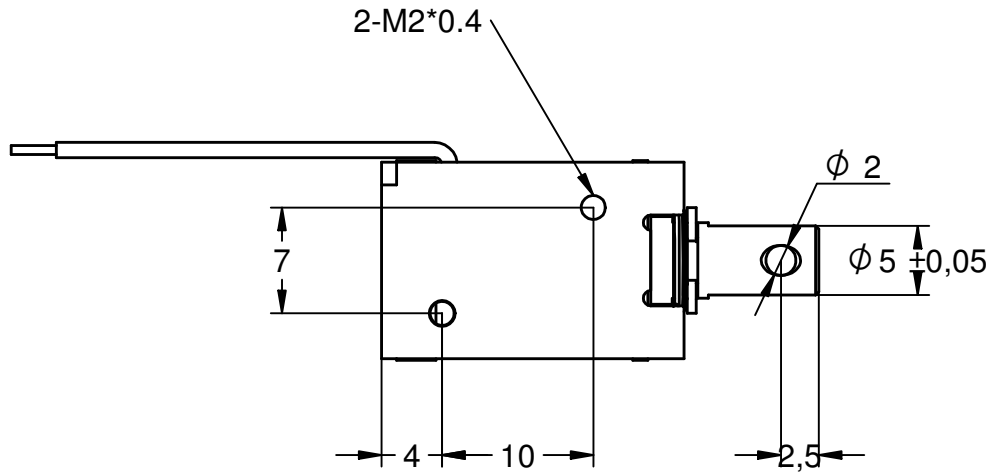


Red wire (+) pull activation
 Red wire (-) release activation



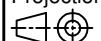
Label

1 Article No.
 Date: YY.MM.DD
 www.transmotec.com

 **TRANSMOTEC**
 www.transmotec.com

Base model
 K0520L

Scale
 2:1

Projection


Date
 2019-05-22

Rev. Date

Rev. No.

Copyright

This drawing contains confidential information and is the property of Transmotec Sweden AB, without whose permission it may not be copied, shown or handed to a third party or otherwise used and is to be returned promptly upon request to the design owner, who is responsible for the drawing.